



Handicare Stairlifts B.V.
Newtonstraat 35
1704 SB Heerhugowaard
The Netherlands
T +31 (0)72 576 88 88
F +31 (0)72 574 34 35
stairlifts@handicare.com
www.handicare.com

Handicare Accessibility Ltd.
82 First Avenue, Pensnett Estate
Kingswinford, West Midlands
DY6 7FJ, England
T +44 (0)1384 408700
F +44 (0)1384 408719
enquiries@handicare.co.uk

Handicare Monte-escaliers
4 Rue des Piverts
ZAC de l' Aunaie
91610 Ballancourt-sur-Essonne
France
T +33 (0)1 69 46 86 10
F +33 (0)1 69 46 86 19
monte-escaliers@handicare.fr

Handicare GmbH
Hausberger Straße 16
32457 Porta Westfalica
Deutschland
T +49 (0)571 97 33 98-55
F +49 (0)571 97 33 98-56
data@handicare.com

Handicare Montascale
Via Chiaviche 17
46020 Pegognaga (MN)
Italy
T +39 (0)376 143 3516
www.handicare-montascale.it

Handicare USA, Inc.
10888 Metro Court
St. Louis, MO 63043
United States of America
Toll Free: 1.866.891.6502
Local: 314.692.9135
Fax: 314.692.7858
sales.us@handicare.com

Handicare Canada
81 Romina Drive,
Concord, ON L4K 4Z9
Canada
T 905.850.9003
F 416.260.0256

AA28094_11



Handicare 4000 User Manual

Smart seat
Simplicity seat
Style seat

EN

FR

DE

IT

ES

NL

CZ

DK

SE

NO

PT

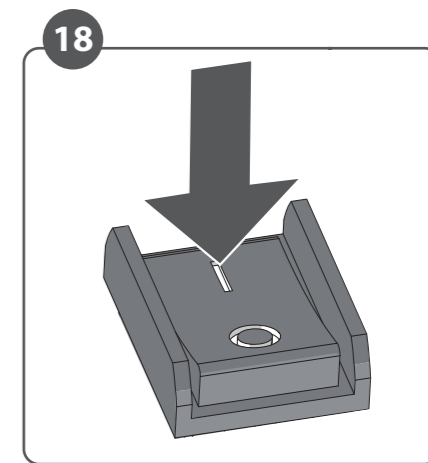
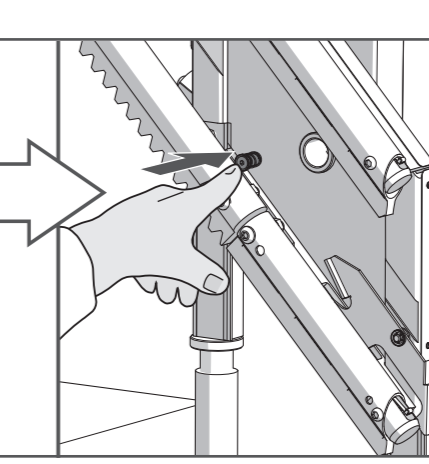
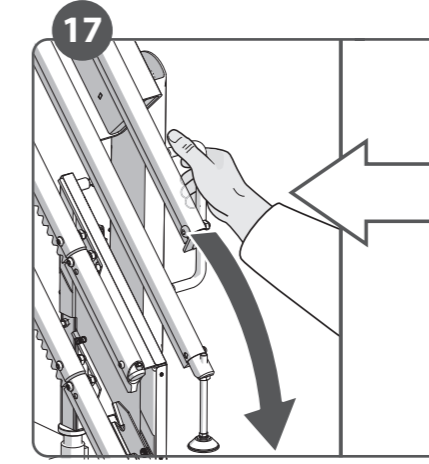
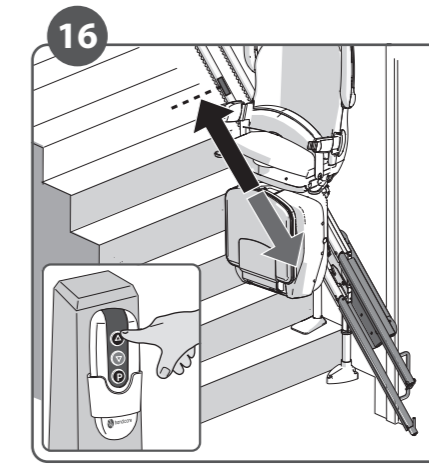
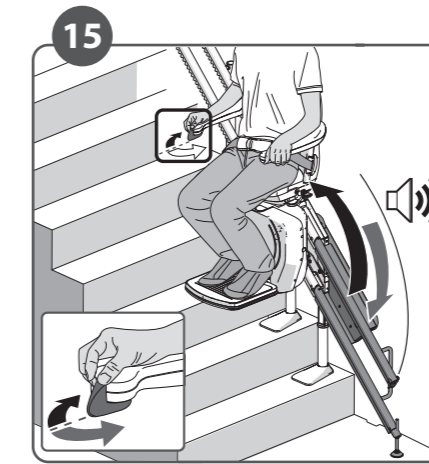
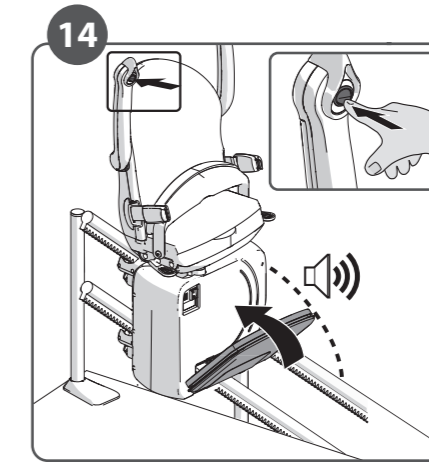
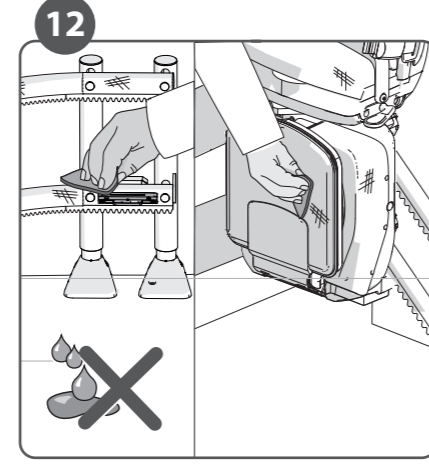
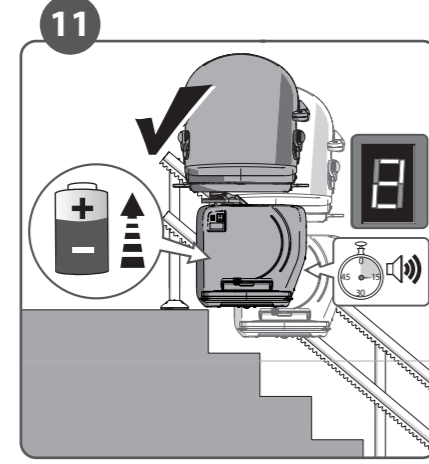
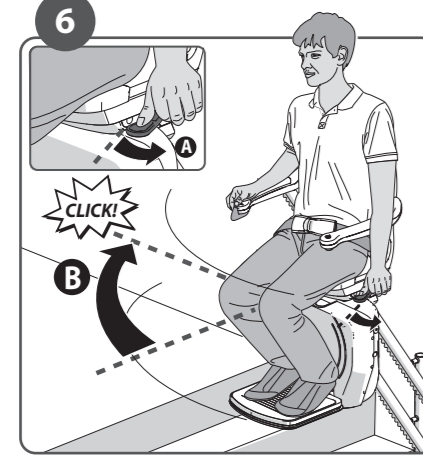
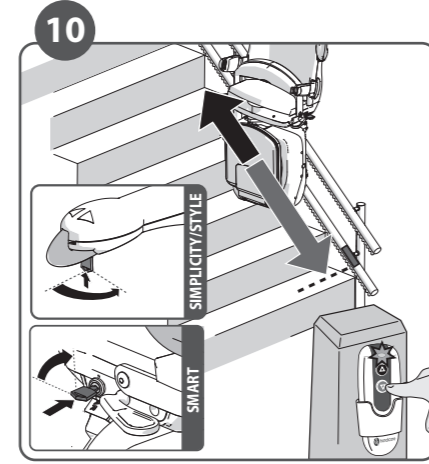
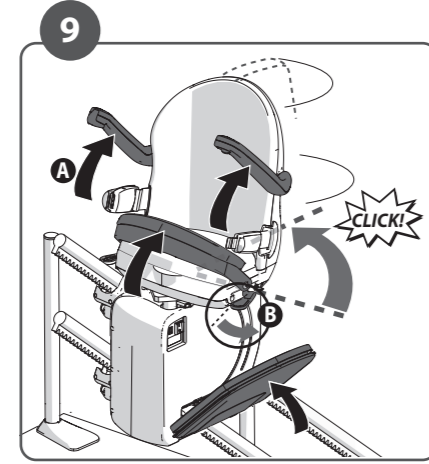
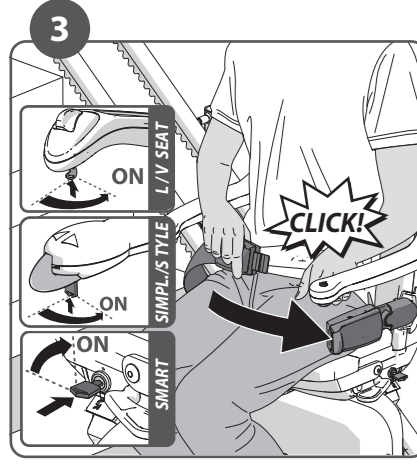
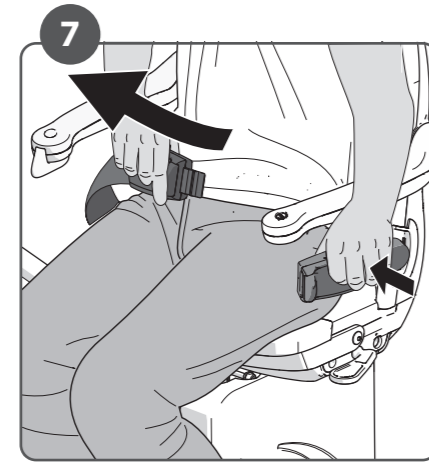
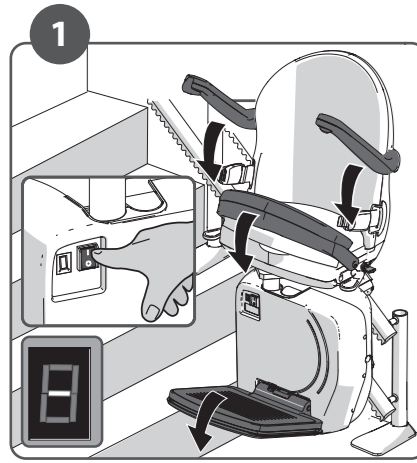
CN

TR

AR

PL

All rights reserved. No part of this publication may be reproduced and/or published by means of print, photocopy, microfilm or in any other way or form, without prior written permission from the manufacturer. This also applies for the accompanying drawings and diagrams. The manufacturer reserves the right to change parts at any time, without prior or direct notification to the customer. The contents of this manual can also be changed without prior warning. This manual is intended for the standard model of the lift. The manufacturer therefore cannot be held liable for any damage resulting from specifications which differ from those of the standard model of the lift supplied to you. For information concerning adjustment, maintenance or repairs not provided in this manual, you are asked to contact the technical department of your supplier. This manual has been compiled with every possible care but the manufacturer cannot accept responsibility for any errors in this manual or for the consequences thereof.



ENGLISH	2	EN
FRANÇAIS	6	FR
DEUTSCH	10	DE
ITALIANO	14	IT
ESPAÑOL	18	ES
NEDERLANDS	22	NL
ČEŠTINA	26	CZ
DANSK	30	DK
SVENSKA	34	SE
NORSK	38	NO
PORTUGUÊS	42	PT
中國人	46	CN
TÜRK	50	TR
أرابيش	54	AR
POLSKIE	58	PL



1 Fold down

Ensure that the on/off switch is set in the 'ON' position. The diagnostic display will be illuminated when switched on. Fold down the footplate, the armrests and seat. *(Optional powered footrest > 14)*

2 Place feet

Place your feet on the footplate. Ensure that both feet are completely on the plate.

3 Safety first

Fasten the seat belt securely, ensuring that it clicks into the holder. Put the key in the switch and turn it ninety degrees clockwise. Check that the chair is in the locked position.

4 Ride

Move and hold the toggle in the desired direction of travel. The display shows a "8/9", the lift will start slowly after 1 second. When changing the direction of travel the delay will be 3 seconds.

5 Stop button

In an emergency, press the stop button once. The lift stops straight away. The stop button can be released by pushing the stop button.

6 Swivel

The lift stops automatically at the end of the rail. You should now swivel the seat manually, making it easier to get on and off. To do this, push down the lever{A}. Swivel the seat until you hear a 'click'. The seat is now in the correct position{B}. *(Optional autoswivel > 13)*

7 Loosen belt

Unfasten the seat belt.

8 Stand up

Stand up from the seat.

9 Fold up

Fold up the armrests, footplate and seat {A}. Push the handle, located to the left or right under the seat, downwards {B}. Swivel the seat until you hear a 'click'. The seat is now in the locked position.

10 Park

Press and hold the button on the remote control until the lift reaches a charge point. Upon arrival, the lift stops automatically.

11 Charge

There are charge points for recharging the lift's batteries at the top and bottom of the rail (there may be additional charge points). If the lift is not in the correct position at the charge point, the lift beeps for 15 seconds and the display shows a "2". The lift does not work if the batteries are flat.

12 Cleaning

Clean the stairlift regularly with a damp cloth; avoid excessive use of water. Never use an acidic cleaner. Ensure the track is kept free of dirt and dust. Over time the track wheels may leave a mark on the rail.

OPTIONS

13 Autoswivel

The AUTOMATIC SWIVEL SEAT option let you swivel the seat automatically to face the direction you are going to walk. To do this, push and hold the joystick in the direction of travel.

14 Powered footrest

To operate a POWERED FOOTREST press the switch under the armrest. The stairlift should beep whilst folding the footrest. Always ensure the footplate is in the down position during travel.

15 Hinged rail

With the FOLDING HINGE option, the seat stops just above the hinged rail. Move the joystick up or down to fold or unfold the rail.

16 Hinged rail (charging)

Do not leave the lift on the hinged rail after use. Use the remote control to move the lift to a charge point and recharge the batteries. The first stopping point is a charge point.

17 Hinge emergency operation

If you are using the stairlift and the hinge system fails, please return to upper landing and call for assistance. Do not attempt to disembark mid-travel, only disembark at the upper or lower floors. To fold the hinge manually In case of emergency: push the release button and move the main arm at the same time.

Tip: Loading of the main arm during normal operation can cause the pinion button to appear to be resistant to movement. Moving

the main arm at the same time as pushing the release button will reduce the pressure on the pinion and make movement easier.

18 On/off (option)

In case of power-out in the building, switch the power off from the lift to avoid battery drainage.

Check these points in the event of a malfunction:

1. Is the seat in the correct position before departure?
2. Are seat and armrests down?
3. Is the elevator on?
(key switch)
4. Has the emergency stop been activated?
5. Is the seatbelt closed?

In all other cases contact your supplier.

FOREWORD

Your Handicare 4000 stairlift is a sophisticated product that has been specifically developed to carry one person (max 136 kg/21.4 stone/300 lbs) sitting on the seat (heavy duty type: max 160 kg/25 stone/352 lbs). Before using your Handicare 4000 stairlift please read this manual thoroughly to familiarise yourself with how to operate your stairlift.

Your stairlift has been constructed with state of the art technology and in accordance with recognised safety regulations so you can be sure that you have a safe and reliable solution.

Nevertheless, incorrect use of the stairlift may cause risk to the user or third parties, damage to your stairlift or other goods. Use your stairlift only when it is in good working order, in accordance with the intended use described above and with due attention to this manual. Always keep this manual near the stairlift.

SAFETY INSTRUCTIONS

When using the stairlift always observe appropriate safety regulations regarding risk of electric shock and physical injury.

1. Provide an unobstructed environment by ensuring that the entire track is free of obstacles.
2. Take environmental influences into account. Do not expose the lift to damp or extreme sunlight. Make sure that the environment is well lit. In case of outdoor lift: always put the cover over the lift when the lift is not in use.
3. The stairlift should only be used by individuals who have received the appropriate guidance. On installation the supplier is required to demonstrate how to use this stairlift and the user is required to sign the declaration confirming that this instruction has been received.
4. Stairlifts should only be used for carrying one person: do not use your stairlift to carry pets, goods or more than one person at a time, even if the load is below the maximum user weight. Keep children and pets away from the stairlift.
5. Remove the key after use to prevent unauthorised use.
6. Keep limbs and clothing away from moving parts. Make sure that wide or loose clothing cannot become trapped between the chair and the stairs or rail.
7. Ensure a safe position during use. Always ensure a correct, stable position. Please sit as far back in the seat as you can and place your feet as close to the centre of the footplate as you are able to. Always use the safety belt and never stand on the stairlift.
8. Take care at all times. Concentrate on the operation of the stairlift as releasing the operating toggle will cause the lift to stop. To restart the lift wait 3 seconds and push and hold the toggle in the direction of travel desired until you reach the landing or hallway.
9. Check for damage. Before use check the lift for external damage. Report unusual noises, such as squeaking and creaking, to your supplier. To avoid accidents repairs and preventive maintenance should only be carried out by engineers qualified to do so.
10. The stairlift must not be used in the event of a fire or as a means of escape during a fire.
11. If the stairlift is not fitted with a communication device, we recommend that you always have one to hand.
12. Only leave the stairlift at the designated points at the top and bottom of the rail.

Structure

The strength and the suitability in general of wall, staircases, terraces, upper floors, banisters, plinths etc. which are to support or surround the installation have been verified and ensured by the customer, who therefore accepts all relative responsibilities. Neither Handicare nor its authorised dealers may be held responsible for the suitability of the structures which surround and support the installation.

MAINTENANCE

Cleaning

Clean the stairlift regularly with a damp cloth; avoid excessive use of water. Ensure the track is kept free of dirt and dust. Over time the track wheels may leave a mark on the rail.

Preventive maintenance

In addition to cleaning your stairlift, periodic preventive maintenance is necessary for continued long-term use.

Your stairlift must be serviced at least once a year by a qualified person. If your stairlift has more than two users we recommend a minimum of two services per year.

Please make an electrical socket available to provide local lighting if required during inspection and servicing. Lighting to a minimum value of 50 lux shall be provided at the boarding points whilst the stairlift is in use.

Most light bulb packaging will detail the lux value of the light bulb.

GUARANTEE AND LIABILITY

Term of warranty – this warranty is valid for a period of 24 months from the date that the product ships from our factory. The purchase price for the product must be paid in full in order for the manufacturer to release parts under this warranty.

Coverage – this warranty applies to the repair or replacement, at the manufacturer's discretion, of parts that fail due to defective material or workmanship. The manufacturer may, at its discretion, provide factory reconditioned parts. This warranty is provided to the Authorised Handicare Dealer on behalf of the final purchaser of the product and is not transferable. The manufacturer's warranty does not cover labour charges for the removal, repair or replacement of warranty parts.

Damage caused by normal wear and tear, overloading or misuse and the replacement of batteries in the remote control is not covered by this guarantee.

We recommend that your stairlift is serviced annually by an appropriately qualified stairlift engineer.

Under no circumstances can the manufacturer accept responsibility for death, personal injury, damage to property, or incidental, unforeseen consequences and/or costs or damage resulting from the use of your stairlift.

The carrying out of alterations to the product is not permitted and doing so will invalidate the warranty. The manufacturer is not liable for damage resulting from such alterations.

The manufacturer accepts no liability for damage or injury caused by the non or inadequate observance of the safety regulations and instructions in this manual, or by negligence during the installation, use, maintenance and repair of this stairlift.

Installation and servicing should only be carried out by dealers or installers/service engineers authorised by the manufacturer in accordance with local regulations.

The wall mounted remote controls operate on a radio frequency; Handicare is unable to accept responsibility for system inoperability in the unlikely event of interference from signals external to this stairlift.

This equipment has been tested and found to comply with the limits for a Class B digital device, pursuant to part 15 of the FCC Rules. These limits are designed to provide reasonable protection against harmful interference in a residential installation.

This equipment generates, uses and can radiate radio frequency energy, and if not installed and used in accordance with the instructions, may cause harmful interference to radio communications.

However, there is no guarantee that interference will not occur in a particular installation. If this equipment does cause harmful interference to radio or television reception, which can be determined by turning the equipment OFF and ON, the user is encouraged to try to correct the interference by one or more of the following measures:

- Reorient or relocate the receiving antenna.
- Increase the separation between the equipment and receiver.
- Connect the equipment into an outlet on a circuit different from that to which the receiver is connected.
- Consult the dealer or an experienced radio/TV technician for help.

TECHNICAL SPECIFICATIONS

Supply voltage	230 VAC	Speed	0,12 m/s (max.)
Frequency	50/60 Hz	Ambient temperature	0 - 40°C
Current	1 A	Relative humidity	20 - 80%
Power 136 kg	360 watt	Usage	16 rides per 24 hours
Power 167 kg	400 watt		10 rides continuous
Fuses	30 A	Noise	56 dB
Load	(std.) 136 kg (300 lb) (h.d.) 160 kg (352 lb)		

The information provided in this manual is based on general specifications regarding the construction, material properties and working methods at the time of publication.

The configuration of the Handicare stairlift, including in particular (but not limited to) its parts such as the rail system, the construction of the stairlift, the fixation parts, all swivelling and movable parts, and the motor, rely on Handicare's know-how. Work on this configuration or on one or more of its parts may only be performed by dealers (and their employees) who have been certified by Handicare to perform such work in accordance with the instructions given by Handicare. Only these employees have received the required training; only these qualified employees can provide the level of safety that Handicare stairlifts have when delivered ex works. Suppliers of used Handicare stairlifts other than dealers who have been certified by Handicare are not qualified to perform such work, e.g. installing a rail for a user other than the original Handicare rail.

This is important, because when work is performed on a Handicare stairlift or a used Handicare stairlift is re-installed with other parts, such as a different rail, by anyone other than the aforementioned qualified employees, Handicare's warranty and the CE mark for the stairlift in question will become invalid with immediate effect.

Once the CE mark has become invalid, this means that the stairlift in question no longer complies with European regulations. As a result, Handicare will no longer be responsible or liable for any consequences arising from the failure of the stairlift in question. Furthermore, maintenance on the Handicare stairlift may only be performed using original spare parts that have been approved by Handicare.

This is important, because if parts other than original spare parts approved by Handicare, such as a different rail, are used, the Handicare warranty and the CE mark for the stairlift in question will become invalid with immediate effect.

The Dutch manual is the original language.

EN

DECLARATION ENGINEER	
I/We certify that onI/we thoroughly examined this lift and that the foregoing is a correct report of the result. I/We declare that the erected stairlift is compound with approved components and installed according to the instructions in the installation manual. I/We also declare that I/we have instructed the user by telling him/her all users practice. The user is independently able to use the lift safely without further instruction. The user manual has been handed over to the user.	
Name Engineer: Qualifications: Signing date: Signature:	Name Engineer: Qualifications: Signing date: Signature:
Address:	If employed by a company/association>name/address:

DECLARATION INSTRUCTED PERSON	
Herewith confirms the user of the stairlift that the above mentioned engineer(s) has declared all users practice and that he/she is known with the complete operation as instructed person.	
Name :	Address:
City:	Phone number:
Signing date:	Signature:

EC DECLARATION OF CONFORMITY		
We, Handicare Newtonstraat 35, 1704 SB Heerhugowaard declare that the Handicare 4000 is in conformity with the provisions of the Machinery Directive 2006/42/EC, Low Voltage Directive 2014/35/EU and EMC Directive 2014/30/EU.		
The stairlift has been designed and manufactured in accordance with the following standards: EN 81-40, ISO 9386-2, EN ISO 12100-1, EN ISO 12100-2, EN ISO 14121, EN60204-1 (including the EMC standards).		
Heerhugowaard, The Netherlands, 15 april 2023.		
P. Slack, Vice President, Operations	Year of build: 2023	Date put into service:

The declaration of conformity is legal after the installation checklist and the declaration instructed person have been signed off by the engineer and the user. The installation checklist and the declaration instructed person shall be saved by the dealer and made available to Handicare on request.

1 Rabattre
Veillez à ce que l'interrupteur marche/arrêt soit bien en position 'MARCHE'. L'indicateur de diagnostic s'allumera pour indiquer si c'est bien le cas. Rabattez les accoudoirs, le repose-pieds et l'assise vers le bas. (*Repose-pieds automatique en option > 14*)

2 Positionner les pieds
Placez vos pieds sur le repose-pieds. Vérifiez que vos deux pieds ne dépassent pas des limites du repose-pieds.

3 Sécurité
Mettez la ceinture de sécurité et bouclez-la solidement. Glissez la clé dans le contact et tournez-la d'un quart de tour vers la droite. Vérifiez si le siège est en position verrouillé.

4 Trajet
Bougez la manette dans la direction souhaitée tout en la maintenant actionnée. L'écran affiche un "8/9", le monte-escalier émettra trois fois un signal sonore et démarrera lentement après une seconde.

5 Bouton d'arrêt
En cas d'urgence, appuyez une fois sur le bouton d'arrêt. le bouton d'arrêt est allumé. Le monte-escalier s'arrête alors immédiatement. Désactivez le bouton d'arrêt en poussez le bouton d'arrêt.

6 Tourner le siège
Le monte-escalier s'arrête automatiquement au bout du rail. Vous pouvez à présent faire pivoter le siège manuellement de manière à en descendre ou à vous

y installer plus facilement. Pour ce faire, poussez une des deux ou les deux poignées vers le bas {A}, commencez à faire tourner le siège par rotation de votre bassin, relâchez les poignées tout en continuant à faire pivoter le siège jusqu'à entendre un clic. Le siège est à présent dans la position adéquate {B}. (*Siège pivotant automatique en option > 13*)

7 Détacher la ceinture
Détachez la ceinture de sécurité.

8 Se lever
Levez-vous du siège.

9 Relever
Relevez les accoudoirs et l'assise vers le haut {A}. Poussez vers le bas la poignée se trouvant à gauche ou à droite sous le siège {B}. Faites tourner le siège jusqu'à entendre un clic. Le siège se trouve à présent dans la position verrouillée.

10 Stationner
Maintenez le bouton de la télécommande enfoncé jusqu'à ce que le monte-escalier ait atteint le point de charge. Une fois le point de charge atteint, le monte-escalier s'arrête automatiquement.

11 Charger
Un point de charge se trouve à chaque extrémité du rail et permet de recharger les batteries (il est possible d'ajouter des points de charge supplémentaires). Lorsque le monte-escalier ne se trouve pas (précisément) sur le point de charge, le monte-escalier émet un bip durant 15 secondes et l'écran affiche un "2". Lorsque les batteries sont vides, le monte-escalier ne fonctionne pas.

12 Nettoyage

Nettoyez le monte-escalier régulièrement. Évitez une utilisation excessive de l'eau. Ne pas utiliser de produits ménagers agressifs. Nettoyez le siège, le dossier, les accoudoirs et le repose-pieds au moyen d'un chiffon légèrement humidifié. Nettoyez le rail régulièrement les avec un chiffon sec. Ne nettoyez pas la crémaillère métallique.

Si des tâches noires apparaissent sur le rail, elles peuvent être facilement lavées à l'aide d'un chiffon humidifié et d'un détergent doux. Avec le temps, il est probable que les roues laissent une marque sur le rail.

OPTIONS

Siège pivotant automatique

- 13 Avec l'option de SIÈGE PIVOTANT AUTOMATIQUE, vous pouvez laisser le siège pivoter automatiquement à l'extrémité du rail. Pour ce faire, maintenez la manette actionnée dans le sens de la montée.

Repose-pieds automatique

- 14 Pour lever le REPOSE-PIEDS AUTOMATIQUE, actionnez la manette sous l'accoudoir. Le monte-escalier devrait émettre un signal sonore pendant cette action. Toujours vous assurer que le repose-pieds soit baissé avant tout déplacement.

Rail escamotable

- 15 Avec l'option de RAIL ESCAMOTABLE, le siège s'arrête lorsqu'il se trouve juste au-dessus du rail escamotable. Actionnez la manette vers le haut ou vers le bas afin de replier ou de déplier le rail (uniquement un configuration Siège standard).

Rail escamotable (parking)

- 16 Après utilisation, ne laissez pas le monte-escalier sur le rail escamotable. À l'aide de la télécommande, envoyez le monte-escalier vers le point de charge pour permettre aux batteries de se recharger. Le premier point où s'arrêtera automatiquement le monte-escalier est un point de charge.

Rail escamotable fonctionnement d'urgence

- 17 Si vous utilisez le monte-escalier et que le système du rail relevable tombe en panne, veuillez renvoyer le siège au palier supérieur et appeler pour obtenir une assistance. N'essayez pas de descendre à mi-parcours, ne sortez du siège que sur les paliers inférieurs ou supérieurs. Pour plier le rail relevable en cas d'urgence: appuyez sur le bouton de déverrouillage et bougez la partie principale du rail relevable en même temps.

18 Marche/arrêt (option)

En cas de coupure de courant dans le bâtiment, coupez l'alimentation de l'ascenseur pour éviter la vidange de la batterie.

Vérifiez ces points en cas de dysfonctionnement :

1. Le siège est-il dans la bonne position avant le départ ?
2. Le siège et les accoudoirs sont-ils baissés ?
3. L'ascenseur est-il en marche ? (interrupteur à clé)
4. L'arrêt d'urgence a-t-il été activé ?
5. La ceinture de sécurité est-elle fermée ?

Dans tous les autres cas, contactez votre fournisseur.

AVANT-PROPOS

Votre monte-escalier Handicare 4000 est un produit sophistiqué qui a été spécialement conçu pour déplacer une personne assise de maximum 136 kg (un kit charge lourde est possible pour un maximum de 160 kg). Avant d'utiliser votre monte-escalier Handicare 4000, veuillez lire le présent manuel de manière approfondie afin de vous familiariser avec le fonctionnement de l'appareil. Votre monte-escalier a été conçu sur la base d'une technologie de dernière génération et en conformité avec les normes de sécurité en vigueur; soyez ainsi assuré(e) que cet équipement est sûr et fiable. Cependant, une mauvaise utilisation du monte-escalier peut entraîner un risque pour l'utilisateur ou pour toute tierce personne, ou bien endommager l'appareil ainsi que tout autre bien. N'utilisez votre monte-escalier que lorsqu'il est en bon état de fonctionnement, conformément à l'usage décrit ci-dessus, et tout en prêtant attention à ce manuel. Veillez à ce que ce dernier reste à proximité de l'appareil.

CONSIGNES DE SÉCURITÉ

Lors de l'utilisation du monte-escalier, veillez à bien respecter les normes de sécurité correspondantes en matière de risque de choc électrique et de dommages corporels.

1. Veillez à ce que l'environnement du monte-escalier soit dégagé, c'est-à-dire qu'il n'y ait aucun obstacle sur le rail.
2. Prenez les facteurs environnementaux en considération. Évitez toute exposition directe de l'appareil au soleil ou à l'humidité. Assurez-vous que l'environnement soit bien éclairé. En cas de monte-escalier en plein air: toujours mettre la bache du monte-escalier quand le monte-escalier n'est pas en cours d'utilisation.
3. Le monte-escalier doit uniquement être utilisé par les individus ayant reçu les directives adéquates. Au moment de l'installation, le fournisseur est tenu d'effectuer une démonstration d'utilisation de l'appareil, et l'utilisateur doit signer une déclaration confirmant que ces instructions ont bien été reçues. Les monte-escaliers doivent uniquement être utilisés pour déplacer une seule personne: n'utilisez pas le monte-escalier pour porter des animaux, des objets ou plus d'une personne à la fois, et ce, même si la charge est inférieure au poids maximal autorisé. Tenez les enfants et les animaux à distance du monte-escalier. Retirez la clé après chaque utilisation pour empêcher toute utilisation non autorisée.
4. Gardez toute partie du corps et tout vêtement à distance des parties de l'appareil en mouvement. Assurez-vous que les vêtements amples ou larges ne puissent pas se retrouver coincés entre le siège et l'escalier ou le rail.
5. Assurez-vous d'être en position sûre en tout temps, c'est-à-dire d'adopter une position stable et correcte. Veillez vous asseoir dans le fond du siège et placer autant que possible vos pieds au centre du repose-pieds. Veillez utiliser la ceinture de sécurité pour tout déplacement et ne vous mettez jamais debout sur le monte-escalier.
6. Faites toujours attention. Restez concentré(e) lors du fonctionnement du monte-escalier; relâcher la manette de commande fera stopper l'appareil. Pour redémarrer le monte-escalier, veuillez patienter 3 secondes et actionnez sans relâcher sur la manette de commande dans la direction vers laquelle vous souhaitez vous déplacer, jusqu'à atteindre le bas ou le haut de l'escalier.
7. Avant d'utiliser le monte-escalier, vérifiez la non présence de dommages apparents. Rapporter les situations où le bruit est inhabituel (ex. : grinçements et craquements) à votre fournisseur. Afin d'éviter tout accident, des réparations et un entretien préventif devront être effectués seulement par des techniciens qualifiés par le fabricant.
8. Le monte-escalier ne doit en aucun cas être utilisé en cas d'incendie ou comme moyen d'évacuation en cas d'incendie.
9. Si le monte-escalier n'est pas doté d'un moyen de communication, il est conseillé d'en avoir toujours un à portée de main.
10. Quittez le monte-escalier uniquement aux emplacements prévus à cet effet, en haut ou en bas du rail.

Structure

La force et le caractère convenable du mur, des escaliers, des terrasses, des étages supérieurs, des rampes, des socles, et autres, utilisés pour soutenir ou entourer l'installation, ont été vérifiés et approuvés par l'utilisateur, qui, en conséquence, accepte toute responsabilité qui en découle. Ni Handicare, ni ses distributeurs contractuels ne seront tenus responsables du caractère convenable des structures qui entourent et soutiennent l'installation.

ENTRETIEN

Nettoyage

Nettoyez le monte-escalier régulièrement.

Évitez une utilisation excessive de l'eau. Nettoyez le siège, le dossier, les accoudoirs et le repose-pieds au moyen d'un chiffon légèrement humidifié. Nettoyez le rail régulièrement avec un chiffon sec. Ne nettoyez pas la crémaillère métallique. Si des tâches noires apparaissent sur le rail, elles peuvent être facilement lavées à l'aide d'un chiffon humidifié et d'un détergent doux. Avec le temps, il est probable que les roues laissent une marque sur le rail.

Entretien préventif

En plus de nettoyer votre monte-escalier, un entretien préventif périodique est nécessaire pour une utilisation permanente et à long terme. Une révision de votre monte-escalier doit être effectuée au moins une fois par an, par une personne qualifiée. Si votre monte-escalier est utilisé par plus de deux personnes différentes, nous recommandons deux révisions minimum de l'appareil par an.

Une prise de sortie électrique doit être disponible pour le monte-escalier afin de fournir un éclairage local pour chaque inspection et travail d'entretien. L'éclairage d'un minimum de 50 lux est fourni au niveau des points d'embarquement, lorsque le monte-escalier est en cours d'utilisation.

GARANTIE ET RESPONSABILITÉ

Durée de la garantie : la présente garantie est valable pendant une période de 24 mois à compter de la date d'expédition du produit au départ de notre usine. Le fabricant ne peut fournir des pièces dans le cadre de la présente garantie que si le prix d'achat du produit a été payé en intégralité.

Couverture : la présente garantie s'applique à la réparation ou au remplacement, au choix du fabricant, de pièces dont la panne est liée à du matériel défectueux ou à un problème de main-d'œuvre. Le fabricant peut, s'il le souhaite, fournir des pièces reconditionnées en usine. La présente garantie est fournie au distributeur Handicare agréé pour l'acheteur final du produit et ne peut être transférée. La garantie du fabricant ne couvre pas les frais de main-d'œuvre pour le retrait, la réparation ou le remplacement des pièces couvertes par la garantie.

Les dommages causés par une usure normale, une surcharge de poids ou une mauvaise utilisation de l'appareil, ainsi que le remplacement des piles dans la télécommande ne sont pas couverts par cette garantie.

Nous recommandons à ce que votre monte-escalier soit révisé tous les ans par un technicien dûment qualifié pour réparer ce type d'appareil.

Le fabricant ne pourra en aucun cas être tenu responsable en cas de décès, de dommages corporels ou matériels, ou responsable de conséquences imprévisibles, fortuites et/ou des frais et dommages découlant de l'utilisation de votre monte-escalier. Il est interdit d'apporter toute modification au produit ; des modifications entraîneront la nullité de la garantie. Le fabricant ne pourra être tenu responsable des dommages résultant de telles modifications. Le fabricant décline toute responsabilité pour les dommages ou les blessures résultant d'un non-respect ou d'un respect inadéquat des consignes de sécurité, d'un non-respect des instructions de ce manuel ou d'une négligence lors de l'installation, l'utilisation, l'entretien et la réparation de ce monte-escalier.

L'installation et l'entretien doivent être effectués par les distributeurs ou les installateurs techniciens autorisés par le fabricant de l'appareil, conformément aux réglementations en vigueur.

La télécommande murale fonctionne en émettant une fréquence infrarouge ; Handicare décline toute responsabilité quant au dysfonctionnement du système, dans le cas peu probable où des interférences seraient générées par des signaux extérieurs au monte-escalier.

SPÉCIFICATIONS TECHNIQUES

Tension	230 VAC	Vitesse	0.12 m/s (max.)
Fréquence	50/60 Hz	Température ambiante	0 - 40°C
Courant	1 A	Humidité relative	20 - 80%
Puissance 136 kg	360 watt	Capacité	16 utilisations toutes les 24 heures (typ.)
Puissance 160 kg	400 watt		10 utilisations par heure (max.)
Fusibles	30 A	Bruit	56 dB
Charge	(std.) 136 kg (300 lb) (h.d.) 160 kg (352 lb)		

Les informations fournies dans ce manuel sont basées sur les spécifications générales concernant la construction, les propriétés des matériaux et les méthodes de travail au moment de la publication.

La configuration du monte-escalier Handicare, ce qui inclut sans s'y limiter ses composants, tels que le système de rail, la structure du monte-escalier, les éléments de fixation, l'ensemble des pièces rotatives et mobiles et le moteur, repose sur le savoir-faire de Handicare. Les travaux portant sur la configuration ou sur un ou plusieurs de ses composants ne peuvent être effectués que par des (collaborateurs des) revendeurs certifiés par Handicare pour l'exécution de ces tâches conformément aux consignes fournies par Handicare. Seuls les collaborateurs qualifiés et formés à cet effet peuvent assurer la sécurité proposée par les monte-escaliers Handicare au départ de l'usine. Les fournisseurs de monte-escaliers Handicare d'occasion autres que les revendeurs certifiés par Handicare ne sont pas qualifiés pour effectuer des tâches telles que l'installation d'un rail autre que le rail Handicare d'origine chez un utilisateur, par exemple.

Ceci est important : en effet, en cas de travaux effectués sur un monte-escalier Handicare ou d'utilisation d'un monte-escalier Handicare d'occasion avec d'autres pièces, un autre rail d'escalier, par exemple, par des personnes qui ne sont pas des collaborateurs qualifiés, la garantie proposée par Handicare et le marquage CE du monte-escalier sont immédiatement annulés.

L'annulation du marquage CE signifie que le monte-escalier n'est plus conforme à la réglementation européenne. Handicare n'est alors plus responsable des éventuelles conséquences d'une panne du monte-escalier. La maintenance du monte-escalier Handicare doit donc être uniquement effectuée avec des pièces de rechange d'origine approuvées par Handicare.

Ceci est important : en effet, si des pièces, un rail d'escalier, par exemple, autres que les pièces de rechange d'origine approuvées par Handicare sont utilisées, la garantie proposée par Handicare et le marquage CE du monte-escalier sont immédiatement annulés.

Le manuel néerlandais est la langue d'origine.

FR

DECLARATION D'INSTALLATEUR

Je certifie/Nous certifions que le, le monte-escalier a été examiné par nos soins en détails, et que ce qui précède constitue un rapport circonstancié et réel des résultats obtenus. Je déclare/Nous déclarons par la présence que ce monte-escalier installé par nos soins est composé d'éléments validés. Il a été installé selon les prescriptions en vigueur et conformément au manuel d'installation. En outre, je déclare/nous déclarons avoir expliqué et montré à l'utilisateur l'ensemble des indications pratiques nécessaire à son fonctionnement. L'utilisateur peut utiliser le monte-escalier en toute sécurité, sans autre instruction. Le manuel d'utilisation a été remis à l'utilisateur.

Nom d'installateur	Nom d'installateur
Qualifications:	Qualifications:
Date:	Date:
Signature:	Signature:
Adresse: Si vous êtes l'employé d'une entreprise/association, indiquez vos nom et adresse:	

DECLARATION DE PERSONNE INFORMÉE

Par la présente, l'utilisateur du monte-escalier déclare que l'(les) installateur(s) cité(s) ci-dessus lui a(ont) expliqué tous les aspects de l'utilisation à respecter. Il est considéré comme une personne informée de tous les aspects de l'utilisation du monte-escalier.

Nom:	Adresse:
Localité:	Numéro de téléphone:
Date:	Signature:

DÉCLARATION DE CONFORMITÉ EC POUR LES MACHINES

Nous, Handicare Newtonstraat 35, 1704 SB Heerhugowaard, déclarons que le Handicare 4000 est conforme aux dispositions de la directive machines 2006/42/CE, de la directive basse tension 2014/35/UE et de la directive CEM 2014/30/UE.

Ce monte-escalier a été conçu et fabriqué conformément aux normes suivantes :
EN 81-40, ISO 9386-2, EN ISO 12100-1, EN ISO 12100-2, EN ISO 14121, EN60204-1 (y compris les normes EMC).

Heerhugowaard, Pays-Bas, 15 avril 2023.



P. Slack, Directeur général Handicare Année de construction: 2023 Date de mise en service:

La déclaration de conformité est considérée complète et valide dès que la fiche d'installation a été signée par le technicien et que la déclaration de personne informée a été signée par l'utilisateur. Ces documents doivent être conservés par l'entreprise installant le matériel et être consultables par Handicare à la demande.

1 Herunterklappen

Stellen Sie sicher, dass der EIN/AUS-Schalter auf 'EIN' steht. Die Diagnose-Anzeige leuchtet auf, um den betriebsbereiten Zustand anzuzeigen. Klappen Sie die Fußstütze, die Armlehnen und die Sitzfläche nach unten. (Option automatische Fußstütze > 14)

2 Füße darauf stellen

Stellen Sie Ihre Füße auf die Fußstütze. Achten Sie darauf, dass keiner Ihrer Füße über die Ränder der Fußstütze hinausragt.

3 Sicherheit an erster stelle

Legen Sie den Sicherheitsgurt an und klicken Sie diesen gut in der Halterung fest. Stecken Sie den Schlüssel in den Kontakt und drehen Sie diesen eine Vierteldrehung nach rechts. Prüfen Sie, ob der Sitz verriegelt ist.

4 Fahrt

Bewegen and halten Sie den Joystick in die gewünschte Richtung. Das Display zeigt eine "8/9", es ertönen drei akustische Signale, und der Lift setzt sich nach 1 Sekunde langsam in Bewegung.

5 Stoptaste

Im Notfall drücken Sie ein Mal die Stoptaste. Die Stopp-Taste leuchtet. Der Lift stoppt dann sofort. Der Stoptaste kann durch Drücken der Stoptaste wieder freigegeben werden.

6 Drehfunktion

Der Lift stoppt automatisch am Schienenende. Sie können den Sitz nun von Hand drehen, damit Sie bequemer aufstehen und wieder Platz nehmen können. Drücken Sie

dazu den Hebel nach unten {A}. Drehen Sie den Sitz, bis Sie ein Klickgeräusch hören. Der Sitz befindet sich jetzt in der richtigen Position {B}. (Option automatischer Drehsitz > 13)

7 Sicherheitsgurt lösen

Lösen Sie den Sicherheitsgurt.

8 Aufstehen

Stehen Sie vom Sitz auf.

9 Hochklappen

Klappen Sie die Armlehnen und die Sitzfläche nach oben {A}. Drücken Sie den Hebel links oder rechts unter der Sitzfläche nach unten {B}. Drehen Sie den Sitz, bis Sie ein Klickgeräusch hören. Der Sitz befindet sich jetzt in der verriegelten Position.

10 Parken

Halten Sie die Taste auf der Fernbedienung gedrückt, bis der Lift ein Haltepunkt erreicht hat. Dort angekommen stoppt der Lift automatisch.

11 Laden

Am oberen und unteren Schienenende befindet sich eine Ladestation, auf der die Akkus des Lifts aufgeladen werden (zusätzliche Ladestationen sind möglich). Falls sich der Lift nicht oder nicht exakt auf der Ladestation befindet, ertönen 15 Sekunden lang akustische Signale und auf dem Display erscheint eine "2". Sind die Akkus leer, funktioniert der Lift nicht.

12 Reinigung

Reinigen Sie den Treppenlift regelmäßig. Verwenden Sie dabei möglichst wenig Wasser.

Verwenden Sie keine sauren Reinigungsmittel. Reinigen Sie den Sitz, die Rückenlehne, Armlehnen und Fußstützen mit einem feuchten Tuch. Reinigen Sie die Schiene regelmäßig mit einem trockenen Tuch.

Die Zahnstange bitte nicht reinigen. Sollten Schmutzflecken auf der Schiene vorhanden sein, lassen sich diese problemlos mit einem feuchten Tuch und mildem Reinigungsmittel entfernen. Im Laufe der Zeit können die Führungsrollen auf der Schiene eine Spur hinterlassen.

OPTIONS

13 Automatische drehfunktion

Mit der Option AUTOMATISCHER DREHSITZ dreht sich der Sitz am Schienenende automatisch in Laufrichtung. Dazu halten Sie den Joystick nach oben gedrückt.

14 Automatische Fußstütze

Bedienen Sie den Schalter unter der Armlehne um die AUTOMATISCHE FUßSTÜTZE hochzuklappen. Während die Fußstütze automatisch hochgeklappt wird ertönt ein akustisches Signal.

15 Klappschiene

Mit der Option KLAPPSCHIENE kommt die Fahreinheit oberhalb der Klappschiene zum Stillstand. Bewegen Sie den Joystick nach oben oder unten, um die Schiene hoch- oder herunterzuklappen.

16 Klappschiene (parken)

Lassen Sie den Lift nach dessen Benutzung nicht auf der Klappschiene stehen. Mit der Fernbedienung senden Sie den Lift zur Ladestation, damit die Akkus

aufgeladen werden können. Die erste Stoppstelle befindet sich bei der Klappschiene und ist ein Ladestation.

17 Klappschiene not bedienung

Sollte bei der Treppenlift-Benutzung ein Problem mit der Klappschiene vorliegen, fahren sie den Lift bitte bis zum oberen Schienenende zurück, um sicher vom Treppenlift absteigen zu können. Informieren Sie danach Ihren Treppenlift-Techniker. Verlassen sie den Lift niemals während der Fahrt, sondern fahren Sie immer bis in die nächstgelegene untere oder obere Haltestelle.

Manuelles Bedienen der Klappschiene im Notfall: Drücken Sie den Entriegelungsknopf und bewegen gleichzeitig den beweglichen Hauptarm der Klappschiene.

18 Ein/Aus (Option)

Schalten Sie im Falle eines Stromausfalls im Gebäude den Aufzug aus, um eine Entladung der Batterie zu vermeiden.

DE

Überprüfen Sie diese Punkte im Störfall:

1. Befindet sich der Sitz vor dem Abflug in der richtigen Position?
2. Sind Sitz und Armlehnen heruntergeklappt?
3. Ist der Aufzug an? (Schlüssel-schalter)
4. Wurde der Notstopp aktiviert?
5. Ist der Sicherheitsgurt geschlossen?

Wenden Sie sich in allen anderen Fällen an Ihren Lieferanten.

VORWORT

Ihr Handicare 4000 Treppenlift ist ein hochentwickeltes Produkt, das speziell entwickelt wurde, um eine Person (max. 136 kg) auf dem Sitz sitzend zu befördern (schwere Ausführung: max.160 kg). Ehe Sie Ihren Handicare 4000 Treppenlift in Betrieb nehmen, lesen Sie bitte diese Anleitung sorgfältig durch, um sich mit der Bedienung Ihres Treppenlifts vertraut zu machen.

Ihr Treppenlift wurde mit modernster Technologie und in Übereinstimmung mit den anerkannten Sicherheitsbestimmungen konstruiert, so dass Sie darauf vertrauen können, dass es sich dabei um eine sichere und zuverlässige Lösung handelt.

Nicht-destotrotz kann die unsachgemäße Benutzung des Treppenlifts den Benutzer oder Dritte in Gefahr bringen und Schäden an Ihrem Treppenlift oder anderen Gegenständen verursachen. Benutzen Sie Ihren Treppenlift nur wenn sich dieser in einwandfreiem Zustand befindet, in Übereinstimmung mit dem oben beschriebenen Verwendungszweck und mit dieser Anleitung. Bewahren Sie diese Anleitung stets in der Nähe Ihres Treppenlifts auf.

SICHERHEITSANWEISUNGEN

Beachten Sie beim Benutzen des Treppenlifts stets die entsprechenden Sicherheitsbestimmungen bezüglich Stromschlag- und Verletzungsgefahr.

1. Sorgen Sie für eine unversperrte Umgebung, indem Sie sicherstellen, dass der gesamte Schienenbereich frei von Hindernissen ist.
2. Berücksichtigen Sie Umgebungseinflüsse. Setzen Sie den Lift keiner Feuchtigkeit und keiner extremen Sonneneinstrahlung aus. Stellen Sie sicher, dass die Umgebung des Lifts gut beleuchtet ist. Im Falle der Außenlift: Setzen Sie den Deckel immer den Lift, wenn der Lift nicht in Betrieb ist.
3. Der Treppenlift sollte nur von Personen benutzt werden, die entsprechend eingewiesen wurden. Bei der Installation ist der Lieferant verpflichtet, vorzuführen, wie diese Einheit zu bedienen ist, und der Benutzer muss eine Erklärung unterzeichnen, die bestätigt, dass diese Einweisung erfolgt ist. Treppenlifte sollten nur zur Beförderung einer einzelnen Person genutzt werden. Benutzen Sie Ihren Treppenlift also nicht, um Haustiere, Gegenstände oder mehrere Personen gleichzeitig zu befördern, auch wenn die Last das maximale Benutzergewicht nicht überschreitet. Kinder und Haustiere vom Treppenlift fern halten. Nehmen Sie nach der Benutzung den Schlüssel aus dem Schloss, um eine nicht autorisierte Benutzung zu verhindern.
4. Halten Sie Ihre Arme und Beine sowie Ihre Kleidung fern von beweglichen Teilen. Stellen Sie sicher, dass weite oder lose sitzende Kleidung nicht zwischen Sitz und Treppe oder Schiene eingeklemmt werden kann.
5. Sichere Position gewährleisten. Sorgen Sie stets für die korrekte, stabile Sitzposition. Setzen Sie sich auf dem Sitz so weit wie möglich nach hinten und stellen Sie Ihre Füße möglichst in die Mitte der Fußstütze. Verwenden Sie stets den Sicherheitsgurt und benutzen Sie den Treppenlift niemals stehend.
6. Lassen Sie jederzeit Vorsicht walten. Konzentrieren Sie sich auf die Bedienung des Treppenlifts, da dieser stillsteht, sobald Sie den Joystick loslassen. Um den Lift wieder in Bewegung zu setzen, warten Sie 3 Sekunden, drücken Sie dann den Joystick in die gewünschte Fahrtrichtung und halten Sie diesen gedrückt, bis Sie die Etage oder das Erdgeschoss erreicht haben.
7. Prüfen Sie den Treppenlift auf Beschädigungen. Prüfen Sie den Lift vor der Inbetriebnahme auf eventuelle äußere Beschädigungen. Melden Sie ungewöhnliche Geräusche, wie Quietschen und Knarzen Ihrem Lieferanten. Um Unfälle zu vermeiden, dürfen Reparaturen und Präventivwartung nur von entsprechend qualifizierten Technikern durchgeführt werden.
8. Der Treppenlift darf bei einem Brand nicht, auch nicht als Fluchhilfe benutzt werden.
9. Sollte der Treppenlift nicht mit einer Kommunikationsmöglichkeit ausgestattet sein, empfehlen wir, stets eine Kommunikationsmöglichkeit zur Hand zu haben.
10. Verlassen Sie den Lift nur über die dafür bestimmten Aufstiehpunkte am oberen oder unteren Ende der Schiene.

Konstruktion

Die Tragfähigkeit und die generelle Eignung von Wand, Treppen, Terrassen, oberen Etagenböden, Geländern, Sockeln usw., welche die Anlage tragen oder umgeben sollen, wurden durch den Kunden geprüft und zugesichert, der damit auch die diesbezügliche volle Verantwortung übernimmt. Weder Handicare noch seine autorisierten Vertragshändler sind für die Eignung der Gebäudeteile zur Verantwortung zu ziehen, welche die Anlage umgeben und tragen.

WARTUNG

Reinigung

Reinigen Sie den Treppenlift regelmäßig.

Verwenden Sie dabei möglichst wenig Wasser. Reinigen Sie den Sitz, die Rückenlehne, Armlehnen und Fußstützen mit einem feuchten Tuch.

Reinigen Sie die Schiene regelmäßig mit einem trockenen Tuch.

Die Zahnstange bitte nicht reinigen. Sollten Schmutzflecken auf der Schiene vorhanden sein, lassen sich diese problemlos mit einem feuchten Tuch und mildem Reinigungsmittel entfernen. Im Laufe der Zeit können die Führungsrollen auf der Schiene eine Spur hinterlassen.

Vorbeugende Wartung

Zusätzlich zur Reinigung Ihres Treppenlifts ist für die kontinuierliche, langfristige Benutzung eine regelmäßige Präventivwartung erforderlich.

Ihr Treppenlift muss mindestens einmal pro Jahr von einem qualifizierten Techniker gewartet werden. Falls Ihr Treppenlift von mehr als zwei Personen genutzt wird, empfehlen wir mindestens zwei Wartungstermine pro Jahr.

Beim Inspektions- oder Wartungstermin muss ein elektrischer Anschluss für die Beleuchtung zur Verfügung stehen.

Während des Betriebs des Treppenlifts ist am oberen und unteren Schienenende eine Beleuchtung mit mindestens 50 Lux bereitzustellen.

GARANTIE UND HAFTUNG

Garantiedauer – Diese Garantie gilt für einen Zeitraum von 24 Monaten ab dem Datum, an dem das Produkt unser Werk verlässt. Der Kaufpreis für das Produkt muss vollständig bezahlt sein, damit der Hersteller Teile im Rahmen dieser Garantie freigeben kann.

Deckung – Diese Garantie wird je nach Wahl des Herstellers für die Reparatur oder den Ersatz von Teilen angewendet, die aufgrund von Material- oder Verarbeitungsfehler ausfallen. Der Hersteller kann nach eigenem Ermessen werksüberholte Teile liefern. Diese Garantie wird dem autorisierten Handicare Vertragshändler im Namen des Endkäufers des Produkts gewährt und ist nicht übertragbar. Die Herstellergarantie deckt nicht die Arbeitskosten für das Entfernen, die Reparatur oder den Ersatz von Garbieteilen.

Beschädigungen durch normale Abnutzung, Überladen oder unsachgemäße Benutzung und der Austausch der Batterien in der Fernbedienung unterliegen nicht dieser Garantie.

Wir empfehlen, Ihren Treppenlift jährlich von einem entsprechend qualifizierten Treppenlifttechniker warten zu lassen.

Der Hersteller haftet unter keinen Umständen für Unfälle mit Todesfolge, Personenschäden, Beschädigung von Eigentum oder Nebenschäden, unvorhergesehene Konsequenzen und/oder Kosten oder Schäden, die aufgrund der Benutzung Ihres Treppenlifts entstanden sind. Änderungen am Produkt sind nicht zulässig und lassen den Gewährleistungsanspruch erlöschen. Der Hersteller haftet nicht für Schäden, die aufgrund derartiger Änderungen entstehen. Der Hersteller übernimmt keine Haftung für materielle oder Personenschäden, die aufgrund der Missachtung oder unzureichenden Beachtung der Sicherheitsbestimmungen und -anweisungen in dieser Anleitung oder aufgrund von Fahrlässigkeit während der Installation, Benutzung, Wartung oder Reparatur dieses Treppenlifts entstehen.

Installation und Wartung dürfen ausschließlich von durch den Hersteller in Übereinstimmung mit den örtlichen Bestimmungen autorisierten Vertragshändlern oder Monteuren/Service-Technikern durchgeführt werden.

Die an der Wand montierten Fernbedienungen arbeiten auf Basis von Infrarot-Frequenzen.

Handicare übernimmt keine Haftung für Systemausfälle im unwahrscheinlichen Fall von Störungen durch Signale von außerhalb dieses Treppenlifts.

TECHNISCHE SPEZIFIKATIONEN

Stromspannung	230 VAC	Geschwindigkeit	0.12 m/s (max.)
Frequenz	50/60 Hz	Umgebungstemperatur	0 - 40°C
Stromstärke	1 A	Relative Luftfeuchtigkeit	20 - 80%
Leistung 136 kg	360 watt	Kapazität	16 Fahrten je 24 Stunden (typ.)
Leistung 160 kg	400 watt		10 Fahrten pro Stunde (max.)
Sicherungen	30 A	Geräuschkentwicklung	56 dB
Betriebslast	(std.) 136 kg (300lb)		
	(h.d.) 160 kg (352 lb)		

Die Angaben in diesem Handbuch basieren auf allgemeinen Angaben zu Konstruktion, Materialeigenschaften und Arbeitsweise zum Zeitpunkt der Veröffentlichung.

Die Konfiguration des Handicare-Treppenlifts, insbesondere, aber nicht ausschließlich, Komponenten wie das Schienensystem, die Konstruktion des Treppenlifts, die Befestigungsteile, alle drehbaren und beweglichen Teile, der Antrieb, beruhen auf dem Know-how von Handicare. Arbeiten an dieser Konfiguration oder an einer oder mehreren ihrer Komponenten dürfen ausschließlich von (Mitarbeitern von) Händlern durchgeführt werden, die von Handicare zertifiziert sind, diese Arbeiten gemäß den von Handicare zur Verfügung gestellten Anweisungen auszuführen. Nur diese Mitarbeiter sind dafür geschult; nur diese qualifizierten Mitarbeiter können die Sicherheit gewährleisten, die die Handicare-Treppenlifte ab Werk bieten. Anbieter von gebrauchten Handicare-Treppenliften, die keine von Handicare zertifizierten Händler sind, sind nicht qualifiziert, diese Arbeiten durchzuführen. Beispielsweise, um eine andere Schiene als die Original-Handicare-Schiene bei einem Benutzer zu installieren.

Dies ist wichtig, denn wenn an einem Handicare-Treppenlift Arbeiten durchgeführt werden oder wenn ein gebrauchter Handicare-Treppenlift unter Verwendung anderer Komponenten, wie z. B. einer anderen Treppenschiene, von jemand anderem als einem dieser qualifizierten Mitarbeiter wieder eingebaut wird, erlischt mit unmittelbarer Wirkung die Garantie von Handicare und die CE-Kennzeichnung für den betreffenden Treppenlift.

Das Erlöschen der CE-Kennzeichnung bedeutet, dass der betreffende Treppenlift nicht mehr den europäischen Vorschriften entspricht. Infolge dieses Erlöschens ist Handicare für die möglichen Folgen eines Versagens des betreffenden Treppenlifts nicht verantwortlich/nicht haftbar. Darüber hinaus darf die Wartung des Handicare-Treppenlifts nur mit von Handicare zugelassenen Original-Ersatzteilen durchgeführt werden.


Dies ist wichtig, denn wenn andere Komponenten, wie z.B. eine andere Treppenschiene, als von Handicare zugelassene Original-Ersatzteile verwendet werden, erlischt auch mit unmittelbarer Wirkung die Garantie von Handicare und die CE-Kennzeichnung des betreffenden Treppenlifts.

Die niederländische Handbuch hat der Originalsprache.

DE

ERKLÄRUNG DER MONTEUR	
Ich/wir bestätigen hiermit, dass ich/wir am diesen Lift sorgfältig geprüft haben/n und dass der vorliegende Bericht eine korrekte Beschreibung des Prüfergebnisses darstellt. Ich erkläre hiermit, dass der installierte Treppenlift aus den genehmigten Bauteilen besteht und der Montageanleitung gemäß installiert wurde. Ich erkläre des Weiteren, dass ich den Benutzer angemessen instruiert habe, indem ich ihn in alle Gebrauchsfunktionen eingewiesen habe. Der Benutzer kann den Aufzug ohne weitere Anweisungen selbständig benutzen. Das Benutzerhandbuch wurde dem Benutzer übergeben.	
Name Monteur	Name Monteur
Qualifikationen	Qualifikationen:
Datum:	Datum:
Unterschrift:	Unterschrift:
Adresse:	Falls bei einer Firma oder Organisation angestellt, Namen/Adresse der Firma angeben:

ERKLÄRUNG DER BEAUFTRAGTEN PERSON	
Hiermit erklärt sich die eingewiesene Person, dass sie vom oben genannten Monteur in die Nutzung der Liftanlage und dessen Sicherheitseinrichtungen eingewiesen wurde. Bestätigt das Benutzerhandbuch erhalten zu haben und dessen Inhalt zur Kenntnis nehmen wird.	
Name:	Adresse:
Ort:	Telefonnummer:
Datum:	Unterschrift:

EC-KONFORMITÄTSERKLÄRUNG FÜR MASCHINEN	
Wir, Handicare Newtonstraat 35, 1704 SB Heerhugowaard erklären, dass die Handicare 4000 den Bestimmungen entspricht der Maschinenrichtlinie 2006/42/EG, Niederspannungsrichtlinie 2014/35/EU und EMV-Richtlinie 2014/30/EU.	
Der Treppenlift wurde in Übereinstimmung mit den folgenden Standards entwickelt und produziert: EN 81-40, ISO 9386-2, EN ISO 12100-1, EN ISO 12100-2, EN ISO 14121, EN60204-1 (einschließlich der EMV-Normen).	
Heerhugowaard, Niederlande, 15 April 2023.	
 P. Slack, Geschäftsführer Handicare	Baujahr: 2023 Datum der Inbetriebnahme:

Die Konformitätserklärung ist rechtsgültig, nachdem die Installationscheckliste und die Einweisungserklärung vom Techniker und Benutzer unterzeichnet wurde. Die Installationscheckliste und die Einweisungserklärung sind vom Händler aufzubewahren und Handicare auf Anforderung zur Verfügung zu stellen.

1 Abbassare

Verificare che l'interruttore on/off sia posizionato su "ACCESO". Il display di diagnostica si illuminerà per indicare l'accensione del servoscala. Abbassare i braccioli, la pedana poggiapiedi e la seduta. *(Pedana poggiapiedi automatica opzionale > 14)*

2 Posizionare i piedi

Posizionare i piedi sulla pedana poggiapiedi. Assicurarsi che i piedi non fuoriescano dai bordi della pedana.

3 Massima sicurezza

Allacciare la cintura di sicurezza e collegando i due elementi con un gesto deciso. Inserire la chiave nel contatto e ruotarla effettuando un quarto di giro verso destra. Verificare che la sedia si trovi in posizione di blocco.

4 Corsa

Spostare il joystick nella direzione desiderata. Il display mostra un "8/9", il servoscala emetterà 3 segnali acustici e partirà lentamente dopo 1 secondo. Se si cambia direzione di marcia, il servoscala riprenderà a muoversi dopo 3 secondi.

5 Pulsante di arresto

Se necessario, premere il pulsante di arresto una sola volta. Il pulsante di arresto è illuminato. Il montascale si fermerà immediatamente. Per disattivare il pulsante di arresto, premere il pulsante di arresto.

6 Ruotare il sedile

Il montascale si ferma automaticamente alla fine della guida.

Ora è possibile girare manualmente il sedile per salire e scendere più facilmente. Tirare all'indietro la maniglia {A}. Ruotare il sedile fino a quando non si sente uno scatto indicante che il sedile si trova nella posizione giusta {B}. *(Sedile girevole automatico opzionale > 13)*

7 Aprire la cintura

Slacciare la cintura di sicurezza.

8 Alzarsi

Alzarsi dal sedile.

9 Ripiegare

Sollevarre i braccioli e la seduta {A}. Abbassare la maniglia presente sotto il sedile (sul lato destro o sinistro) {B}. Ruotare il sedile fino a quando non si sente uno scatto indicante che il sedile si trova nella posizione di blocco.

10 Parcheggiare

Tenere premuto il pulsante sul telecomando finché il montascale non raggiungerà un punto di arresto. Una volta arrivato, il montascale si fermerà automaticamente.

11 Caricare

Nei punti superiore e inferiore della guida è presente una postazione in cui l'accumulatore del montascale può ricaricarsi (è possibile installare punti di ricarica aggiuntivi). Se non si trova (esattamente) sul punto di ricarica, il montascale emetterà un segnale acustico per 15 secondi e il display mostra un "2". Quando gli accumulatori si scaricano, il montascale smette di funzionare.

- 12 Pulizia**
Pulire regolarmente il servoscala. Non utilizzare quantità eccessive di acqua. Non usare prodotti di pulizie con acidi. Pulire il sedile, il supporto posteriore, il bracciolo e la pedana poggiapiedi con un panno leggermente inumidito. Pulire regolarmente la guida con un panno asciutto. Non pulire la guida dentata in metallo. Qualora compaiano macchie scure sulla guida, sarà possibile rimuoverle facilmente con un panno umido e un detergente delicato. Con il tempo, le ruote potrebbero lasciare dei segni sulla guida.

OPZIONI

- 13 Rotazione motorizzata**
Con il SEDILE GIREVOLE MOTORIZZATA opzionale, è possibile ruotare automaticamente il sedile alla fine della guida nella direzione di marcia. Per farlo, è necessario mantenere il joystick puntato verso l'alto.
- 14 Pedana poggiapiedi motorizzata**
Per sollevare il PEDANA POGGIAPIEDI MOTORIZZATA, spostare l'interruttore presente sotto il bracciolo. Il servoscala emetterà un segnale acustico durante lo spostamento del poggiapiedi.
- 15 Guida ribaltabile**
Se è presente la GUIDA RIBALTABILE, il sedile si arresterà appena sopra di essa. Per sollevare o abbassare la guida, puntare il joystick verso l'alto o verso il basso.
- 16 Guida ribaltabile (parcheggio)**
Dopo l'uso, evitare di lasciare il

montascale sulla guida ribaltabile; usando il telecomando, spostare piuttosto il montascale sul punto di ricarica affinché l'accumulatore si rifornisca. Il primo punto di arresto è un punto di ricarica.

- 17 Guida ribaltabile operación de**
Se si utilizza il montascale dotato di guida ribaltabile motorizzata e questa non funziona, si prega di tornare al piano superiore e richiedere assistenza. Non tentare di scendere durante il percorso della guida, sbarcare solo ai piani superiori.
In caso di emergenza, per chiudere manualmente la cerniera: premere il pulsante di rilascio e contemporaneamente la guida ribaltabile verso l'alto.
- 18 Su / spento (opzione)**
In caso di interruzione dell'alimentazione nell'edificio, spegnere l'ascensore per evitare il drenaggio della batteria.

Controllare questi punti in caso di malfunzionamento:

1. Il sedile è nella posizione corretta prima della partenza?
2. Il sedile e i braccioli sono abbassati?
3. L'ascensore è acceso? (interruttore a chiave)
4. È stato attivato l'arresto di emergenza?
5. La cintura di sicurezza è allacciata?

In tutti gli altri casi contattare il proprio fornitore.

PREFAZIONE

Il servoscala Handicare 4000 è un sofisticato prodotto progettato appositamente per il trasporto di una persona (max. 136 kg) seduta sul sedile (tipo pesante: max.160 kg). Prima di utilizzare il servoscala Handicare 4000, si prega di leggere attentamente il presente manuale per familiarizzare con l'utilizzo del servoscala. Questo servoscala è stato costruito a partire sulla base di una tecnologia all'avanguardia e in conformità con le normative di sicurezza comunemente accettate, pertanto si tratta di una soluzione sicura e affidabile. Ciononostante, un utilizzo scorretto del servoscala potrebbe mettere a rischio l'utente o soggetti terzi e danneggiare il servoscala stesso o altri beni. Si raccomanda di utilizzare il servoscala solo laddove quest'ultimo risulti funzionante nonché in conformità con l'uso previsto sopra indicato e con quanto riportato nel presente manuale. Conservare il manuale nei pressi del servoscala.

ISTRUZIONI DI SICUREZZA

Quando si utilizza il servoscala, attenersi sempre alle normative di sicurezza riguardanti il rischio di scosse elettriche e infortuni.

1. Predisporre un ambiente privo di ostruzioni od ostacoli lungo tutta la guida.
2. Tenere in considerazione le condizioni atmosferiche. Non esporre il servoscala all'umidità o a una luce diretta eccessivamente forte. Accertarsi che l'ambiente sia illuminato correttamente. In caso di servoscala esterno: mettere sempre l'apposito telo protettivo sopra il servoscala quando questo non viene utilizzato.
3. Il servoscala deve essere utilizzato esclusivamente da persone che abbiano ricevuto le istruzioni necessarie. Al momento dell'installazione, il fornitore è tenuto a illustrare il funzionamento dell'unità e l'utente deve firmare una dichiarazione nella quale conferma di avere ricevuto tali istruzioni. I servoscala devono essere utilizzati da una persona; evitare di usarli per trasportare animali domestici, oggetti o più persone contemporaneamente, anche laddove il carico risulti inferiore al peso massimo consentito. Tenere bambini e animali domestici lontani dal servoscala. Rimuovere le chiavi dopo l'uso per evitare utilizzi non autorizzati.
4. Tenere arti e indumenti lontani dalle parti mobili. Assicurarsi di non indossare indumenti larghi o con parti non aderenti, che potrebbero rimanere incastrate tra la sedia e le scale o la guida.
5. Assumere una posizione sicura. Mantenere sempre una posizione corretta e stabile. Si consiglia di sedersi quanto più indietro possibile sul sedile in maniera tale da poter posizionare i piedi alla minima distanza dal centro della pedana. Utilizzare sempre la cintura di sicurezza ed evitare di stare in piedi sul servoscala.
6. Procedere sempre con cautela. Concentrarsi sul funzionamento del servoscala, in quanto rilasciando l'interruttore a bascula si causerà l'arresto del servoscala stesso. Per far ripartire il servoscala, attendere 3 secondi e tenere premuto l'interruttore a bascula nella direzione verso la quale si desidera spostarsi fino al raggiungimento del pianerottolo o dell'ingresso.
7. Verificare che non siano presenti danni. Prima di utilizzarlo, controllare che il servoscala non sia danneggiato. In presenza di rumori insoliti, come ad esempio cigolii o soricchiolii, contattare il proprio fornitore. Per evitare incidenti, le riparazioni e la manutenzione preventiva devono essere effettuate esclusivamente da tecnici qualificati.
8. Il servoscala non deve essere usato come mezzo di fuga in caso di incendio.
9. Se il montascale non dispone di un mezzo di comunicazione, si consiglia di tenerne sempre uno a portata di mano.
10. Scendere dal Montascale esclusivamente nei punti di sbarco, alla fine della guida al piano alto o alla fine della guida al piano basso, oppure in eventuali fermate intermedie dove la macchina si arresta automaticamente.

Struttura

La solidità e l'adeguatezza complessive di pareti, scalinate, terrazzi, piani superiori, ringhiere, zoccoli ecc. che dovranno supportare o delimitare l'installazione devono essere verificate e garantite dal cliente, il quale accetta pertanto tutte le responsabilità correlate. Handicare e i suoi rivenditori autorizzati non saranno da ritenersi responsabili per quanto riguarda l'idoneità delle strutture che circondano e sostengono l'installazione.

MANUTENZIONE

Pulizia

Pulire regolarmente il servoscala.

Non utilizzare quantità eccessive di acqua. Pulire il sedile, il supporto posteriore, il bracciolo e la pedana poggiapiedi con un panno leggermente inumidito. Pulire regolarmente la guida con un panno asciutto. Non pulire la guida dentata in metallo. Qualora compaiano macchie scure sulla guida, sarà possibile rimuoverle facilmente con un panno umido e un detergente delicato. Con il tempo, le ruote potrebbero lasciare dei segni sulla guida.

Manutenzione preventiva

Oltre alla pulizia del servoscala, sono necessari interventi periodici di manutenzione preventiva per evitare i danni a lungo termine di un utilizzo continuativo.

Il servoscala deve essere controllato almeno una volta all'anno per specifiche del costruttore, in ogni caso la manutenzione dovrà inoltre essere eseguita secondo quanto richiesto da eventuali norme specifiche della nazione ove l'impianto è stato installato. Il cliente dovrà conservare i documenti attestanti le manutenzioni eseguite durante la vita dell'impianto. Se il servoscala viene usato da più di due utenti, si consiglia di effettuare due collaudi all'anno.

Durante l'ispezione e gli interventi di manutenzione è necessario che nei pressi del servoscala sia presente una presa elettrica per consentire l'illuminazione locale. Quando il servoscala è in uso, i punti di salita e discesa devono essere provvisti di un'illuminazione minima pari a 50 lux.

GARANZIA E RESPONSABILITÀ

Durata della garanzia: questa garanzia è valida per un periodo di 24 mesi dalla data di spedizione del prodotto dalla nostra fabbrica. Il prezzo di acquisto del prodotto deve essere saldato per intero affinché il produttore rilasci i componenti coperti da questa garanzia.

Copertura: questa garanzia si applica alla riparazione o sostituzione, a discrezione del produttore, di parti che si guastano a causa di difetti nei materiali o nella lavorazione. Il produttore può, a sua discrezione, fornire parti ricondizionate in fabbrica. La presente garanzia viene fornita al Rivenditore autorizzato Handicare per conto dell'acquirente finale del prodotto e non è trasferibile. La garanzia del produttore non copre le spese di manodopera per la rimozione, la riparazione o la sostituzione delle parti in garanzia.

I danni causati dalla naturale usura dell'apparecchio, da carichi eccessivi o da un utilizzo scorretto nonché la sostituzione delle batterie del telecomando non sono coperti da questa garanzia. Si consiglia di contattare un tecnico qualificato ogni anno affinché esegua il collaudo del servoscala. In nessun caso il produttore potrà essere ritenuto responsabile per decessi, infortuni, danni materiali, conseguenze e/o costi o danni accidentali o non previsti risultanti dall'utilizzo del servoscala. Non è permesso alterare il prodotto in alcun modo; tale pratica annullerà la garanzia. Il produttore non sarà responsabile per gli eventuali danni provocati da tali alterazioni. Il produttore non sarà ritenersi responsabile per i danni o gli infortuni causati dalla mancata o insufficiente osservanza delle normative e istruzioni di sicurezza contenute nel presente manuale o da eventuali negligenze durante l'installazione, l'utilizzo, la manutenzione e la riparazione del servoscala.

L'installazione e la manutenzione devono essere effettuate esclusivamente da rivenditori o tecnici addetti all'installazione/assistenza autorizzati dal produttore in conformità con le normative locali.

I telecomandi installati sulla parete funzionano mediante frequenze a infrarossi; Handicare non può essere ritenuta responsabile per il mancato funzionamento del sistema nella remota ipotesi di un'interferenza con il servoscala causata da segnali esterni.

SPECIFICHE TECNICHE

Tensione di alimentazione	230 VAC	Velocità	0,12 m/s (max.)
Frequenza	50/60 Hz	Temperatura ambiente	0 - 40°C
Corrente	1 A	Umidità relativa	20 - 80%
Potenza 136 kg	360 watt	Vita utile	16 corse per 24 ore (typ.)
Potenza 160 kg	400 watt		10 corse per ore (max.)
Fusibili	30 A	Rumore	56 dB
Carico	(std.) 136 kg (300 lb) (h.d.) 160 kg (352 lb)		

Le informazioni fornite in questo manuale si basano su specifiche generali relative alla costruzione, alle proprietà dei materiali e ai metodi di lavoro al momento della pubblicazione.

La configurazione del montascale Handicare, in particolare per quanto riguarda accessori quali il sistema della guida, la struttura del montascale, i componenti per il fissaggio, tutte le parti girevoli e mobili, nonché il motore, si basa sul know-how di Handicare. Le procedure relative alla configurazione di uno o più componenti del montascale devono essere eseguite esclusivamente dai rivenditori (e relativi dipendenti) autorizzati da Handicare per lo svolgimento di tali attività, nel rispetto delle istruzioni fornite dall'azienda stessa. Solo dipendenti adeguatamente formati e qualificati possono garantire la sicurezza dei montascale Handicare franco fabbrica. Eventuali fornitori di montascale Handicare usati, diversi dai rivenditori certificati da Handicare, non sono qualificati per lo svolgimento delle procedure necessarie, ad esempio l'installazione presso l'abitazione di un utente di una guida diversa da quella originale di Handicare.

Si tratta di un aspetto molto importante, poiché qualora soggetti diversi dai dipendenti debitamente qualificati effettuino interventi su un montascale Handicare (o rimettano in funzione un montascale Handicare usato impiegando componenti differenti, ad esempio un'altra guida), si annulleranno con effetto immediato la garanzia offerta da Handicare e la marcatura CE relativa al montascale interessato.

L'invalvidazione della marcatura CE implica che il montascale interessato non risulterà più conforme alla normativa europea. Come conseguenza di tale revoca, Handicare non potrà più essere ritenuta responsabile per eventuali danni derivanti dall'uso del montascale stesso. Inoltre, la manutenzione del montascale Handicare deve essere eseguita con pezzi di ricambio originali approvati da Handicare.

Anche questo aspetto non va sottovalutato, dato che qualora vengano utilizzati componenti diversi dai pezzi di ricambio originali approvati da Handicare, ad esempio un'altra guida, si annulleranno con effetto immediato la garanzia offerta da Handicare e la marcatura CE relativa al montascale coinvolto.

Il manuale olandese è la lingua originale.

IT

DICHIARAZIONE DI L'INSTALLATORE

Io/Noi dichiaro/dichiariamo che, in data, ho/abbiamo esaminato approfonditamente questo servoscala e che quello sopra riportato costituisce un rapporto accurato dei risultati. Dichiaro che il servoscala è costituito da componenti approvati ed è stato installato secondo le istruzioni contenute nel Manuale di installazione. Dichiaro inoltre di avere istruito l'utente in merito a tutte le pratiche di utilizzo. L'utente è in grado di utilizzare l'ascensore in modo indipendente senza ulteriori istruzioni. Il manuale utente è stato consegnato all'utente.

Technico/installatore	Technico/installatore
Qualifica:	Qualifica:
Data:	Data:
Firma:	Firma:
Indirizzo:	Se dipendente di un'azienda/associazione, indicare nome e indirizzo:

DICHIARAZIONE DI UTILIZZO ISTRUITO

Come menzionato in precedenza, seguendo le normative del distributore, l'utente del servoscala dichiara con la presente, di essere stato informato ed istruito dal installatore(installatori) sulla modalità di utilizzo e opzioni pre-senti, del servoscala.

Nome:	Dirección:
Insede:	Numero di telefono:
Data:	Firma:

DICHIARAZIONE DI CONFORMITÀ EC PER I MACCHINARI

Noi, Handicare Newtonstraat 35, 1704 SB Heerhugowaard dichiariamo che Handicare 4000 è conforme alle disposizioni della Direttiva Macchine 2006/42/CE, Direttiva Bassa Tensione 2014/35/UE e Direttiva EMC 2014/30/UE.

Il montascale è stato progettato e costruito conformemente con gli standard elencati di seguito:
EN 81-40, ISO 9386-2, EN ISO 12100-1, EN ISO 12100-2, EN ISO 14121, EN60204-1 (compresi gli standard EMC).

Heerhugowaard, Paesi Bassi, 15 aprile 2023.



P. Slack, Amministratore delegato di Handicare Anno di costruzione: 2023 Data di messa in servizio:

La dichiarazione di conformità ha valore legale dopo che la lista di controllo dell'installazione e la dichiarazione di presa visione viene firmata dal tecnico e dall'utente. La lista di controllo dell'installazione e la dichiarazione di presa visione devono essere conservate dal rivenditore e messe a disposizione di Handicare su richiesta.

1 Bajar

Asegúrese de que el interruptor de encendido y apagado esté en la posición 'ENCENDIDO'. La pantalla de diagnóstico se iluminará para indicarlo. Baje los apoyabrazos, el reposapiés el asiento de la silla. (*Reposapiés automático opcional > 14*)

2 Colocar los pies

Ponga los pies en el reposapiés. Asegúrese de que ambos pies estén completamente dentro de los bordes del reposapiés.

3 Seguridad ante todo

Póngase el cinturón de seguridad y abróchelo firmemente en la hebilla. Introduzca la llave en el contacto y gírela una cuarta vuelta hacia la derecha. Compruebe si la silla está en la posición bloqueada.

4 Recorrido

Mueva la palanca en la dirección que desea desplazarse. La pantalla muestra un "8/9", el salvaescaleras sonará 3 veces y después de 1 segundo se pondrá en marcha lentamente.

5 Botón de parada

En caso de emergencia, pulse una vez el botón de parada. El botón de parada está encendida. El salvaescaleras se detendrá inmediatamente. Pulsar el botón de parada para desbloquearlo.

6 Girar

El salvaescaleras se parará automáticamente al final del riel. Ahora puede girar la silla manualmente para levantarse y bajar del

salvaescaleras con mayor facilidad. Para ello, empuje la palanca hacia abajo {A}. Gire la silla hasta que oiga un clic. La silla está ahora en la posición correcta {B}. (*Silla de giro automático opcional > 13*)

7 Abrir el cinturón

Desabroche el cinturón de seguridad.

8 Levantarse

Levántese de la silla.

9 Levantar

Suba los apoyabrazos y el asiento de la silla {A}. Empuje la palanca a la izquierda o derecha de la silla hacia abajo {B}. Gire la silla hasta que oiga un clic. La silla está ahora en la posición bloqueada.

10 Aparcamiento

Mantenga el botón en el mando a distancia apretado hasta que el salvaescaleras llegue a un punto de parada. Cuando llegue a la punto de parada, el salvaescaleras se parará automáticamente.

11 Cargar

En la parte superior e inferior del riel hay una estación de carga donde se cargan las baterías del salvaescaleras (es posible instalar estaciones de carga adicionales). Si el salvaescaleras no está (correctamente) situado en la estación de carga, el salvaescaleras dará un pitido durante 15 segundos y la pantalla muestra un "2". Si la baterías están vacías, el salvaescaleras no funciona.

- 12 Limpieza**
Limpie el salvaescaleras regularmente. Evite un uso excesivo de agua. No utilizar detergentes ácidos. Limpie la silla, el respaldo, los apoyabrazos y el reposapiés con un paño ligeramente humedecido. Limpie el riel regularmente con un paño seco. No limpie la cremallera de metal. Si en la cremallera aparecen manchas sucias, puede limpiarlas fácilmente con un paño húmedo y un detergente suave. Con el tiempo, las ruedas de la cremallera pueden dejar marcas en el riel.

OPCIONES

- 13 Giro automático**
Con la opción SILLA DE GIRO AUTOMÁTICO, la silla girará automáticamente al final del riel en la dirección que usted quiera bajar de la silla. Para ello debe mantener la palanca hacia arriba.

- 14 Reposapiés automático**
Para levantar el REPOSAPIÉS AUTOMÁTICO, gire la manivela debajo del apoyabrazos. El salvaescaleras emitirá un pitido mientras se levanta el reposapiés.

- 15 Riel plegable**
Con la opción RIEL PLEGABLE, la silla se detiene justamente arriba del riel plegable. Mueva la palanca hacia arriba o abajo para plegar o desplegar el riel.

- 16 Riel plegable (aparcamiento)**
No deje el salvaescaleras en el riel plegable después del uso. Con el control remoto puede enviar el salvaescaleras a la estación de carga para que se carguen las

baterías. El primer punto de parada es un estación de carga.

- 17 Riel plegable funcionamiento de emergencia**

Si está utilizando la silla salvaescalera y el carril abatible motorizado falla, regrese al piso superior y solicite asistencia. No intente desembarcar a mitad del recorrido, solo desembarque en los pisos superiores. En caso de emergencia, para cerrar el carril abatible motorizado manualmente: presione el botón de liberación y sube el brazo principal al mismo tiempo.

- 18 Encendido / apagado (opción)**

En caso de apagón en el edificio, apague la alimentación del ascensor para evitar el drenaje de la batería.

ES

Compruebe estos puntos en caso de mal funcionamiento:

1. ¿Está el asiento en la posición correcta antes de la salida?
2. ¿Están bajados el asiento y los reposabrazos?
3. ¿Está encendido el ascensor? (interruptor de llave)
4. ¿Se ha activado la parada de emergencia?
5. ¿Está cerrado el cinturón de seguridad?

En todos los demás casos, póngase en contacto con su proveedor.

INTRODUCCIÓN

Su salvaescaleras Handicare 4000 es un producto sofisticado que ha sido desarrollado especialmente para desplazar a una persona (máx. 136 kg) sentada en la silla (tipo de servicio pesado: máx.160 kg). Antes de utilizar su salvaescaleras Handicare 4000, lea este manual detenidamente para familiarizarse con el manejo del mismo.

El salvaescaleras ha sido construido siguiendo el estado actual de la técnica y de acuerdo con las normas de seguridad reconocidas para que usted pueda estar seguro de que dispone de un producto seguro y fiable.

Sin embargo, el uso indebido del salvaescaleras puede constituir un riesgo para el usuario o terceros y puede dañar su salvaescaleras u otros bienes. Utilice su salvaescaleras solo si está en buenas condiciones de funcionamiento, de acuerdo con el uso intencionado arriba descrito y prestando atención a las instrucciones en este manual. Guarde este manual siempre cerca del salvaescaleras.

ASISTENCIA TÉCNICA

Si se presentan problemas que no se describen en este documento, póngase en contacto con su proveedor.

Los empleados del departamento de asistencia al cliente estarán siempre encantados de ayudarle. Para ayudarles a identificar su producto tenga la siguiente información a mano cuando les llame:

- este manual;
- su nombre, dirección, código postal, localidad y número de teléfono;
- el número de serie del salvaescaleras que figura en la etiqueta que está situada en la unidad de alimentación debajo de la silla.

INSTRUCCIONES DE SEGURIDAD

Cuando utilice el salvaescaleras, observe siempre las normas de seguridad relativas al riesgo de descargas eléctricas y lesiones físicas.

1. Procure siempre que en la proximidad del salvaescaleras no haya obstrucciones y asegúrese de que todo el riel esté libre de obstáculos.
2. Tenga en cuenta las posibles influencias ambientales. No exponga el salvaescaleras a la humedad o a la luz solar extrema. Asegúrese de que el entorno esté bien iluminado. En caso de elevación al aire libre: Siempre coloque la tapa del ascensor cuando el ascensor no está en uso.
3. El salvaescaleras solo debe ser utilizado por personas que hayan sido correctamente instruidas. Durante la instalación, el proveedor debe demostrar el uso de esta unidad y el usuario debe firmar la declaración como prueba de que ha recibido dicha instrucción. Los salvaescaleras solo deben utilizarse para desplazar a una persona: no utilice el salvaescaleras para desplazar mascotas, bienes o más de una persona a la vez, también si la carga es inferior al peso máximo de usuario. Mantenga a los niños y a las mascotas alejados del salvaescaleras. Saque la llave después del uso para evitar un uso no autorizado.
4. Mantenga las extremidades y la ropa alejadas de las piezas móviles. Asegúrese de que la ropa ancha u holgada no quede atrapada entre la silla y la escalera o el riel.
5. Adopte una posición segura. Asegúrese siempre de estar en una posición segura y estable. Siéntese lo más atrás posible en la silla y coloque los pies lo más cerca al suelo que pueda al centro del reposapiés. Utilice siempre el cinturón de seguridad y no se ponga nunca de pie en el salvaescaleras.
6. Actúe siempre con precaución. Concéntrese en la operación del salvaescaleras; si suelta la palanca de funcionamiento el salvaescaleras se parará. Para volver a poner el salvaescaleras en marcha, espere 3 segundos y pulse y aguante la palanca en la dirección que desea desplazar hasta que llegue al rellano o el zaguán.
7. Compruebe si hay daños. Antes del uso, compruebe si el salvaescaleras está dañado. Avise a su proveedor sobre ruidos extraños, como chirridos y chasquidos. Para evitar accidentes, las reparaciones y el mantenimiento preventivo deben ser realizados únicamente por técnicos cualificados.
8. El salvaescaleras no debe utilizarse en caso de un incendio o como medio de escape durante un incendio.
9. Si el salvaescaleras no está equipado con un medio de comunicación, es recomendable tener siempre un medio de comunicación a mano.
10. Baje del salvaescaleras solo en los puntos de bajada existentes en la parte inferior o superior del riel.

Estructura

La resistencia y la idoneidad general de la pared, escaleras, pasillos, pisos superiores, barandillas, zócalos, etc. que han de soportar o rodear la instalación han de ser verificados y asegurados por el cliente, que por consiguiente acepta todas las responsabilidades relativas. Ni Handicare ni sus distribuidores autorizados asumen ninguna responsabilidad de la estabilidad de las estructuras que rodean y apoyan la instalación.

MANTENIMIENTO

Limpieza

Limpie el salvaescaleras regularmente.

Evite un uso excesivo de agua. Limpie la silla, el respaldo, los apoyabrazos y el reposapiés con un paño ligeramente humedecido. Limpie el riel regularmente con un paño seco.

No limpie la cremallera de metal. Si en la cremallera aparecen manchas sucias, puede limpiarlas fácilmente con un paño húmedo y un detergente suave. Con el tiempo, las ruedas de la cremallera pueden dejar marcas en el riel.

Mantenimiento preventivo

Para asegurar un uso prolongado, el salvaescaleras no solo requiere una limpieza regular, sino también cierto mantenimiento preventivo.

El salvaescaleras debe ser revisado al menos una vez por año por una persona cualificada. Si el salvaescaleras tiene más de dos usuarios, recomendamos al menos dos revisiones por año.

En la proximidad del salvaescaleras debe haber una toma de corriente disponible para una iluminación local durante la inspección y revisión. Mientras se utilice el salvaescaleras, debe haber una iluminación de al menos 50 lux en los puntos de llegada y salida.

GARANTÍA Y RESPONSABILIDAD

Plazo de la garantía: esta garantía es válida durante un período de 24 meses a partir de la fecha en la que se envió el producto desde nuestra fábrica. El precio de compra del producto debe haberse pagado en su totalidad para que el fabricante suministre las piezas en virtud de esta garantía.

Cobertura: esta garantía se aplica a la reparación o sustitución, a elección del fabricante, de las piezas que sean defectuosas debido a mano de obra o materiales defectuosos. A su libre elección, el fabricante puede proporcionar piezas reacondicionadas de fábrica. Esta garantía se proporciona al distribuidor autorizado de Handicare en nombre del comprador final del producto y no es transferible. La garantía del fabricante no cubre los gastos de mano de obra para la retirada, reparación o sustitución de las piezas en garantía.

Esta garantía no cubre daños causados por desgaste normal, sobrecarga o uso inapropiado y el reemplazo de pilas en el telemando.

Le recomendamos revisar el salvaescaleras cada año por un técnico cualificado de salvaescaleras. En ningún caso, el fabricante puede aceptar responsabilidad por la muerte, lesiones personales, daños a la propiedad ni consecuencias y/o gastos incidentales e imprevistos resultantes del uso de su salvaescaleras. No está permitido realizar modificaciones al producto y hacerlo anulará la garantía. El fabricante no será responsable de los posibles daños resultantes de dichas modificaciones. El fabricante no acepta ninguna responsabilidad por daños o lesiones causados por la inobservancia u observancia inadecuada de las reglas e instrucciones de seguridad en este manual, o por la negligencia durante la instalación, el uso, el mantenimiento y la reparación de este salvaescaleras.

La instalación y revisión deben ser realizadas exclusivamente por proveedores o técnicos de instalación/revisión autorizados por el fabricante de acuerdo con las normativas locales.

Los telemandos montados en la pared funcionan con frecuencia infrarroja; Handicare no asume ninguna responsabilidad por cualquier disfunción en el caso improbable de que se produzca una interferencia de señales externos a este salvaescaleras.

ESPECIFICACIONES TÉCNICAS

Tensión de alimentación	230 VAC	Velocidad	0,12 m/s (máx.)
Frecuencia	50/60 Hz	Temperatura ambiente	0 - 40°C
Corriente	1 A	Humedad relativa	20 - 80%
Potencia 136 kg	360 watt	Capacidad	16 recorridos por 24 horas (typ.)
Potencia 160 kg	400 watt		10 recorridos por hora (máx.)
Fusibles	30 A	Ruid	56 dB
Carga	(std.) 136 kg (300 lb)		
	(h.d.) 160 kg (352 lb)		

La información proporcionada en este manual se basa en las especificaciones generales sobre la construcción, las propiedades de los materiales y los métodos de trabajo en el momento de la publicación.

La configuración del salvaescaleras de Handicare, y en particular pero no exclusivamente los componentes del mismo, como el sistema de rieles, la estructura del salvaescaleras, los elementos de fijación, todas las piezas giratorias y móviles y el motor, están basados en los conocimientos y experiencia de Handicare. Los trabajos en esa configuración o en una o más de sus componentes, solo pueden ser realizados por (empleados de) los distribuidores certificados por Handicare para llevar a cabo estos trabajos de acuerdo con las instrucciones proporcionadas por Handicare. Solo esos empleados están capacitados para ello; solo esos empleados calificados pueden garantizar la seguridad que ofrecen los salvaescaleras de Handicare franco fábrica. Los distribuidores de salvaescaleras de segunda mano de Handicare que no sean los distribuidores certificados por Handicare no están calificados para realizar este trabajo. Por ejemplo, para instalar un riel distinto del riel original de Handicare en el hogar de un usuario.

Esto es importante, porque cuando se trabaja en un salvaescaleras de Handicare o cuando un salvaescaleras de Handicare usado es reinstalado utilizando otros componentes, como un riel diferente, por cualquier persona que no sea uno de esos empleados cualificados, la garantía de Handicare y el marcado CE relativo al salvaescaleras en cuestión quedarán inmediatamente anulados.

La expiración de la marca CE significa que el salvaescaleras en cuestión ya no cumple con la normativa europea. Como resultado de esta expiración, Handicare no es responsable/no se hace responsable de las posibles consecuencias de un fallo del salvaescaleras respectivo. Además, el mantenimiento del salvaescaleras de Handicare solo puede realizarse con piezas de repuesto originales aprobadas por Handicare.

Esto es importante porque si se utilizan otras piezas, como un riel diferente, que las piezas de repuesto originales aprobadas por Handicare, la garantía de Handicare y la marca CE del salvaescaleras en cuestión quedarán inmediatamente anulados.

El manual del holandés es el idioma original.

ES

DECLARACIÓN DEL INSTALADOR

Yo/nosotros certifico/certificamos que el examiné/examinamos exhaustivamente este salvaescaleras y que lo arriba expuesto es una representación correcta del resultado. Por la presente, declaro que el salvaescaleras montado está compuesto por materiales homologados e instalado según las instrucciones en el manual de instalación. Asimismo declaro que he instruido al usuario explicándole todos los usos prácticos. El usuario puede usar el elevador de forma independiente y sin instrucciones adicionales. El manual del usuario ha sido entregado al usuario.

Nombre del instalador	Nombre del instalador
Cualificaciones:	Cualificaciones:
Fecha:	Fecha:
Firma:	Firma:
Dirección:	Si está contratado por una empresa/asociación, indique el nombre/la dirección:

DECLARACIÓN DE PERSONA INFORMADA

Por la presente, el usuario declara que ha sido instruido e informado por el instalador(es) aquí arriba nombrado, sobre todos los requisitos y aspectos del modo de utilización del ascensor sube-escaleras.

Nombre:	Dirección:
Lugar:	Número de teléfono:
Fecha:	Firma:

DECLARACIÓN EC DE CONFORMIDAD PARA MÁQUINAS

Nosotros, Handicare Newtonstraat 35, 1704 SB Heerhugowaard, declaramos que Handicare 4000 cumple con las disposiciones de la Directiva de Máquinas 2006/42/EC, Directiva de Baja Tensión 2014/35/EU y Directiva EMC 2014/30/EU.

El salvaescaleras ha sido diseñado y fabricado de acuerdo con las siguientes normas:
EN 81-40, ISO 9386-2, EN ISO 12100-1, EN ISO 12100-2, EN ISO 14121, EN60204-1 (incluidos los estándares EMC).

Heerhugowaard, los Países Bajos, 15 abril 2023.



P. Slack, Director ejecutivo de Handicare Año de construcción: 2023 Fecha puesta en servicio:

La declaración de conformidad tiene valor legal después de que la lista de comprobación de la instalación y la declaración de aprobación hayan sido firmadas por el técnico y el usuario. El concesionario debe conservar la lista de comprobación de la instalación y la declaración de reconocimiento de la persona, y ponerla a disposición de Handicare cuando ésta lo solicite.

1 Neerklappen

Zorg ervoor dat de aan-/uitschakelaar in de stand 'AAN' staat, als u de traplift wilt gebruiken. Als de diagnostische display is verlicht, is de traplift ingeschakeld. Klap de voetenplank, de arMLEUNINGEN en de stoelzitting naar beneden. (Optionele automatische voetenplank > 14)

2 Voeten plaatsen

Plaats uw voeten op de voetenplank. Controleer of beide voeten volledig binnen de randen van de plank staan.

3 Veiligheid voorop

Doe de veiligheidsgordel om en klik deze stevig vast in de houder. Steek de sleutel in het contact en draai deze een kwart rechtsom. Controleer of de zitting is vergrendeld en niet kan draaien.

4 Rijden

Beweeg en houd de joystick in de gewenste rijrichting. De display laat een "8/9" zien, de lift zet zich geleidelijk in beweging. U hoort 3 keer een geluidssignaal en na 1 seconde komt de traplift langzaam in beweging.

5 Stopknop

In geval van nood drukt u de stopknop eenmaal in. De stopknop licht op. De lift stopt dan onmiddellijk. Om de lift weer vrij te geven, drukt u op de stopknop.

6 Draaien

De lift stopt automatisch aan het einde van de rail. U kunt de stoel nu handmatig draaien zodat u

gemakkelijker op- en afstapt. Druk hiervoor de hendel naar beneden {A}. Draai de stoel totdat u een klikgeluid hoort. De stoel staat nu in de juiste positie {B}. (Optionele automatische draaistoel > 13)

7 Riem losmaken

Maak de veiligheidsgordel los.

8 Opstaan

Sta op van de stoel.

9 Opklappen

Klap de arMLEUNINGEN en de stoelzitting op {A}. Druk de hendel links of rechts onder de zitting, naar beneden {B}. Draai de stoel totdat u een klikgeluid hoort. De stoel staat nu in de vergrendelde positie.

10 Parkeren

Houd de knop op de afstandsbediening ingedrukt totdat de lift een stopplaats bereikt. Daar aangekomen stopt de lift automatisch.

11 Opladen

Boven- en onder aan de rail bevindt zich een oplaadstation waar de accu's van de lift zich opladen (extra oplaadstations mogelijk). Wanneer de lift niet (juist) op het oplaadstation staat, piept de lift gedurende 15 seconden en display geeft een "2" aan. Wanneer de accu's leeg zijn werkt de lift niet.

12 Reiniging

Reinig de traplift regelmatig. Gebruik niet te veel water. Gebruik geen zuurhoudende schoonmaak-

middelen. Reinig de zitting, de rugleuning, de arMLEUNINGEN en de voetenplank met een licht vochtige doek. Reinig de rail regelmatig met een droge doek. De metalen beugel mag niet worden gereinigd. Als er vuile vlekken op de rail zitten, kunnen deze gemakkelijk worden verwijderd met een vochtige doek en een zacht schoonmaakmiddel. De railwielTJES kunnen na een tijdje een spoor op de rail nalaten.

OPTIES

13 Automatische draaifunctie

Met de AUTOMATISCHE DRAAISTOEL-optie kunt u de stoel boven aan de rail automatisch in de looprichting laten draaien. Hiervoor houdt u de joystick in opwaartse richting vast.

14 Automatische voetenplank

Gebruik de schakelaar onder de arMLEUNING om de AUTOMATISCHE VOETENPLANK in te klappen. U hoort een geluidssignaal terwijl de voetenplank inklapt. Zorg ervoor dat tijdens het rijden van de lift de voetenplank altijd uitgeklappt is.

15 Klapprail

Met de KLAPRAIL-optie komt de stoel net boven de klapprail tot stilstand. Beweeg de joystick naar boven of naar beneden om de rail op- of uit te klappen.

16 Klapprail (parkeren)

Laat de lift na gebruik niet op de klapprail staan. Met de afstandsbediening stuurt u de lift naar het oplaadstation zodat de accu's opladen. Het eerste stoppunt is

het iets hoger gelegen laadstation.

17 Klapprail noodbediening

Wanneer U gebruik maakt van de stoeltraplift en de automatische klapprail functioneert niet, kunt u altijd terug rijden naar de bovenste verdieping, waar u voor hulp kunt bellen. Probeer nooit op de trap uit te stappen, maar altijd op de bovenste verdieping.

In geval van nood kan de klapprail worden bediend door de vrijgave knop in te drukken en de rail met de hand op te klappen.

18 Aan / uit (optie)

In het geval van stroomuitval in het gebouw, schakelt u de stroom uit van de lift om te voorkomen dat de batterij leegloopt.

NL

Check deze punten bij een storing:

1. Staat de stoel in de juiste positie voor vertrek?
2. Zijn zitting en arMLEUNINGEN naar beneden?
3. Staat de lift aan? (sleutelschakelaar)
4. Is de noodstop bediend?
5. Is de riem gesloten?

Neem in alle andere gevallen contact op met uw leverancier.

VOORWOORD

Uw Handicare 4000-traplift is een geavanceerd product bedoeld om één persoon (max. 136 kg) in een zittende houding te vervoeren (heavy duty type: max. 160 kg). Lees deze handleiding aandachtig door, zodat u weet hoe de Handicare 4000-traplift werkt voordat u ervan gebruikmaakt. De traplift is uitgerust met de nieuwste technologie en gemaakt in overeenstemming met erkende veiligheidsvoorschriften. U beschikt met de Xclusive dus over een veilige en betrouwbare oplossing.

Onjuist gebruik van de traplift kan echter gevaarlijk zijn voor de gebruiker of derden en kan schade veroorzaken aan de traplift of andere zaken. Gebruik uw traplift alleen wanneer deze zich in goede staat bevindt en alleen voor het beoogde gebruik zoals hierboven beschreven en met inachtneming van deze handleiding. Bewaar deze handleiding in de buurt van de traplift.

VEILIGHEIDSINSTRUCTIES

Houd u bij gebruik van de traplift altijd aan de toepasselijke veiligheidsvoorschriften in verband met het risico op elektrische schokken en lichamelijk letsel.

1. Zorg dat de rail vrij is van obstakels.
2. Houd rekening met de omgevingsinvloeden. Stel de lift niet bloot aan vocht of extreme hoeveelheden zonlicht. Zorg dat de omgeving voldoende is verlicht. In het geval van buitenlift: doe altijd de cover over de lift als deze niet in gebruik is.
3. De traplift mag alleen worden gebruikt door personen die hiervoor de juiste aanwijzingen hebben gekregen. De leverancier moet na de installatie laten zien hoe de lift wordt gebruikt. De gebruiker moet bovendien een verklaring ondertekenen waarin staat dat deze demonstratie heeft plaatsgevonden. Trapliften mogen slechts worden gebruikt voor het vervoer van één persoon: gebruik de traplift niet voor huisdieren, goederen of meer dan één persoon, ook niet als het totale gewicht lager is dan het maximaal toegelaten gewicht. Houd kinderen en huisdieren uit de buurt van de traplift. Verwijder de sleutel na gebruik, om ongewenst gebruik te voorkomen.
4. Houd armen, benen en kleding weg van bewegende onderdelen. Zorg dat wijde of losse kleding niet tussen de stoel en de trap of rail komt vast te zitten.
5. Neem een veilige houding aan. Zorg altijd dat u correct plaatsneemt en stabiel zit. Ga zo ver mogelijk naar achteren in de stoel zitten en plaats uw voeten zo dicht mogelijk bij het midden van de voetenplank. Gebruik altijd de veiligheids gordel en ga nooit rechtop op de traplift staan.
6. Wees altijd voorzichtig. Concentreer u op de bediening van de traplift want als u de bedieningshendel loslaat, stopt de lift. Om de lift opnieuw te starten, wacht u drie seconden en houdt u vervolgens de bedieningshendel vast in de gewenste beweegrichting totdat u de overloop of hal bereikt.
7. Controleer op schade. Controleer de lift voor gebruik op externe schade. Meld ongebruikelijke geluiden, zoals piepen of kraken, aan uw leverancier. Om ongevallen te voorkomen, mogen reparaties en preventief onderhoud alleen door gekwalificeerde monteurs worden uitgevoerd.
8. De traplift mag niet worden gebruikt bij brand of om het gebouw bij brand te verlaten.
9. Indien de traplift niet voorzien is van een communicatiemiddel, wordt u geadviseerd altijd een communicatiemiddel bij de hand te hebben.
10. Verlaat de lift alleen op de daarvoor bestaande afstappunten onder of boven aan de rail.

Constructie

De stevigheid en algemene geschiktheid van muren, trappen, vloeren, trapleuningen, plinten enzovoort die de installatie moeten dragen of zich rond de installatie bevinden, zijn door de klant gecontroleerd. De klant is dan ook verantwoordelijk voor de kwaliteit ervan. Handicare noch de geautoriseerde dealers van Handicare kunnen aansprakelijk worden gesteld voor de geschiktheid van de constructie die de installatie moet dragen of die zich rond de installatie bevindt.

ONDERHOUD

Reiniging

Reinig de traplift regelmatig.

Gebruik niet te veel water. Reinig de zitting, de rugleuning, de armleuningen en de voetenplank met een licht vochtige doek. Reinig de rail regelmatig met een droge doek. De metalen heugel mag niet worden gereinigd. Als er vuile vlekken op de rail zitten, kunnen deze gemakkelijk worden verwijderd met een vochtige doek en een zacht schoonmaakmiddel. De railwielletjes kunnen na een tijdje een spoor op de rail nalaten.

Preventief onderhoud

De traplift moet niet alleen worden gereinigd, maar ook regelmatig preventief worden onderhouden om een lange levensduur te garanderen.

Uw traplift moet minstens eenmaal per jaar een onderhoudsbeurt krijgen van een gekwalificeerde servicemonteur. Als uw traplift door meer dan twee personen wordt gebruikt, raden we minimaal twee onderhoudsbeurten per jaar aan.

Bij de traplift moet een stopcontact aanwezig zijn ten behoeve van een lichtbron ter plaatse tijdens inspecties en onderhoudsbeurten. Bij gebruik van de lift moet op in- en uitstappunten verlichting aanwezig zijn met een sterkte van minimaal 50 lux.

GARANTIE EN AANSPRAKELIJKHEID

Garantievoorwaarden – deze garantie geldt voor een periode van 24 maanden vanaf de datum dat het product de fabriek heeft verlaten.

De fabrikant levert alleen onderdelen onder deze garantie als de aankoopprijs van het product volledig is voldaan.

Dekking – deze garantie geldt voor de reparatie of vervanging van onderdelen die defect raken als gevolg een fabricagefout of het gebruik van ondeugdelijke materialen. De fabrikant bepaalt of een onderdeel wordt vervangen of gerepareerd. De fabrikant kan hierbij kiezen voor in de fabriek gerepareerde onderdelen. Deze garantie wordt namens de eindgebruiker van het product verleend aan de geautoriseerde dealer van Handicare en is niet overdraagbaar.

De fabrieksgarantie dekt niet de arbeidskosten voor de demontage, reparatie of vervanging van de onderdelen die onder de fabrieksgarantie vallen. Schade veroorzaakt door normale slijtage, overbelasting of verkeerd gebruik en vervanging van batterijen in de afstandsbediening vallen niet onder deze garantie.

We raden aan uw traplift jaarlijks door een gekwalificeerde monteur te laten onderhouden.

Onder geen beding aanvaardt de producent enige aansprakelijkheid voor dood, lichamelijk letsel, schade aan eigendommen of incidentele, onvoorziene gevolgen en/of kosten of schade als gevolg van uw gebruik van de traplift.

Het is niet toegestaan wijzigingen aan te brengen aan het product. De garantie komt in dat geval te vervallen.

De producent is niet aansprakelijk voor schade als gevolg van dergelijke wijzigingen aan het product. De producent aanvaardt geen aansprakelijkheid voor schade of letsel als gevolg van het niet of onvoldoende naleven van de veiligheidsvoorschriften en instructies in deze handleiding, of als gevolg van nalatigheid tijdens de installatie, het gebruik, het onderhoud en het herstel van deze traplift.

De installatie en het onderhoud mogen alleen worden uitgevoerd door dealers of installateurs/onderhoudsmonteurs die door de producent zijn geautoriseerd in overeenstemming met de geldende wet- en regelgeving.

De wandschakelaars werken via een infraroodfrequentie. Handicare aanvaardt geen aansprakelijkheid voor de onbruikbaarheid van het systeem in het onwaarschijnlijke geval dat de traplift wordt verstoord door externe signalen.

TECHNISCHE SPECIFICATIES

Voedingsspanning	230 VAC	Snelheid	0.12 m/s (max.)
Frequentie	50/60 Hz	Omgevingstemperatuur	0 - 40°C
Stroom	1 A	Relatieve vochtigheid	20 - 80%
Vermogen 136 kg	360 watt	Capaciteit	16 ritten per 24 uur (typ.)
Vermogen 160 kg	400 watt		10 ritten per uur (max.)
Zekeringen	30 A	Geluid	56 dB
Belasting	(std.) 136 kg (300lb) (h.d.) 160 kg (352 lb)		

De informatie in deze handleiding is gebaseerd op de algemene specificaties van de constructie, materiaaleigenschappen en werkmethoden ten tijde van de publicatie.

De configuratie van de Handicare-traplift, met name maar niet beperkt tot onderdelen daarvan zoals het railsysteem, de constructie van de traplift, de bevestigingsonderdelen, alle draaibare en beweegbare onderdelen, de motor, steunt op know-how van Handicare. Werkzaamheden aan die configuratie of aan een of meer van haar onderdelen, mogen alleen worden uitgevoerd door (medewerkers van) dealers die door Handicare zijn gecertificeerd om deze werkzaamheden te verrichten volgens door Handicare geleverde instructies. Alleen die medewerkers zijn daartoe opgeleid; alleen die gekwalificeerde medewerkers kunnen zorgen voor de veiligheid die de Handicare-trapliften af fabriek bieden. Aanbieders van gebruikte Handicare-trapliften anders dan de dealers die door Handicare zijn gecertificeerd, zijn niet gekwalificeerd om die werkzaamheden te verrichten. Bijvoorbeeld om bij een gebruiker een andere rail te installeren dan de originele Handicare-rail.

Dat is belangrijk want bij werkzaamheden aan een Handicare-traplift, of bij herplaatsing van een gebruikte Handicare-traplift met gebruik van andere onderdelen zoals bijvoorbeeld een andere traprail, door anderen dan een van die gekwalificeerde medewerkers, vervalt met onmiddellijke ingang de garantie van Handicare en de CE-markering aangaande de bewuste traplift.

Verval van de CE-markering betekent dat de bewuste traplift niet meer in overeenstemming is met de Europese regelgeving. Als gevolg van dat verval, is Handicare onder meer niet verantwoordelijk/niet aansprakelijk voor de eventuele gevolgen van uitval van de bewuste traplift. Daar komt bij dat onderhoud van de Handicare-traplift alleen mag worden uitgevoerd met originele door Handicare goedgekeurde reserve-onderdelen.

Dat is belangrijk want als andere onderdelen, zoals bijvoorbeeld een andere traprail, worden gebruikt dan originele door Handicare goedgekeurde reserve-onderdelen, vervalt ook al met onmiddellijke ingang de garantie van Handicare en de CE-markering aangaande de bewuste traplift.

De Nederlandse handleiding is de oorspronkelijke brontaal.

VERKLARING VAN DE MONTEUR

Ik/Wij verklaar/verklaren dat op Ik/wij deze lift grondig hebben onderzocht en dat het voorgaande een correcte weergave van het resultaat is/zijn. Ik/wij verklaar/verklaren dat de opgebouwde traplift is samengesteld met goedgekeurde onderdelen en is geïnstalleerd volgens de instructies in de installatiehandleiding. Ik/wij verklaar/verklaren tevens dat ik/wij de gebruiker heb/hebben geïnstrueerd door hem/haar te vertellen dat alle gebruikers oefenen. De gebruiker is zelfstandig de lift veilig kunnen gebruiken zonder verdere instructie. De gebruikershandleiding is aan de gebruiker overhandigd.

Naam monteur:	Naam monteur:
Kwalificaties:	Kwalificaties:
Datum:	Datum:
Handtekening:	Handtekening:
Adres:	Indien in dienst van een bedrijf>naam/adres:

NL

VERKLARING VAN DE GEÏNSTRUEERDE PERSOON

Hierbij verklaart de gebruiker, dat de hierboven genoemde monteur(s) alle door de fabrikant "gewenste gebruiksaspecten" heeft toegelicht en bekend is met alle bedieningsaspecten van de traplift.

Naam: Adres:
Plaats: Telefoonnummer:
Datum: Handtekening:

EC-VERKLARING VAN OVEREENSTEMMING VOOR MACHINES

Wij, Handicare Newtonstraat 35, 1704 SB Heerhugowaard verklaren dat de Handicare 4000 in overeenstemming zijn met de bepalingen in de Machineryrichtlijn 2006/42/EG, de Laagspanningsrichtlijn 2014/35/EU en de EMC-richtlijn 2014/30/EU.

De traplift is ontworpen en geproduceerd in overeenstemming met de volgende standaarden:
EN 81-40, ISO 9386-2, EN ISO 12100-1, EN ISO 12100-2, EN ISO 14121, EN60204-1 (inclusief de EMC-normen).

Heerhugowaard, Nederland, 15 april 2023.

P. Slack, Algemeen directeur Handicare

Productiejaar: 2023

Datum in gebruik genomen:

De EC-verklaring van overeenstemming is geldig nadat de installatie-checklijst en de verklaring van de geïnstrueerde persoon zijn ondertekend door de installateur en de gebruiker. De installatie-checklijst en de verklaring van de geïnstrueerde persoon moeten bewaard worden door de dealer en op aanvraag beschikbaar zijn voor Handicare.

1 SKLÁPĚNÍ

Ujistěte se, že je hlavní spínač v poloze „ON“ (zapnuto). Po zapnutí se rozsvítí diagnostický displej. Sklopte podnožku, područky a sedačku. (VOLITELNÁ ELEKTRICKY OVLÁDANÁ PODNOŽKA > 14)

2 UMÍSTĚNÍ NOHOU

Položte nohy na podnožku. Ujistěte se, že jsou obě chodidla zcela na desce.

3 BEZPEČNOST PŘEDEVŠÍM

Zapněte si bezpečnostní pás, ujistěte se, že zacvakl do držáku. Vložte klíč do spínače a otočte jím o 90° po směru hodinových ručiček. LED dioda a područce se slabě rozsvítí.

4 JÍZDA

Přesuňte a podržte joystick v požadovaném směru jízdy. Na displeji se zobrazí „8/9“ a sedačka se po 1 sekundě pomalu rozjede. Při změně směru jízdy dojde k prodlevě 3 sekundy.

5 TLAČÍTKO STOP

V případě nouze jednou stiskněte tlačítko STOP. Sedačka poté okamžitě zastaví. Tlačítko STOP lze uvolnit opětovným stisknutím.

6 OTÁČENÍ SEDAČKY

Sedačka se automaticky zastaví na konci dráhy. Poté ručně otočte sedačku, což usnadňuje nastupování a vystupování. Pro otočení zatlačte páčku {A} směrem dolů. Otáčejte sedačku, dokud neuslyšíte „cvaknutí“. Sedačka je nyní ve správné poloze {B}. (VOLITELNÉ AUTOMATICKÉ OTÁČENÍ > 13)

7 ROZEPNUTÍ PÁSU

Odepněte bezpečnostní pás.

8 POSTAVENÍ SE

Vystupte ze sedačky.

9 SKLÁDÁNÍ

Sklopte područky a posadte se {A}. Zatlačte páčku umístěnou vlevo nebo vpravo pod sedačkou směrem dolů {B}. Otáčejte sedačku, dokud neuslyšíte „cvaknutí“. Sedačka je nyní v zajištěné poloze.

10 PARKOVÁNÍ

Stiskněte a podržte tlačítko na dálkovém ovládní, dokud sedačka nedosáhne místa nabití. Po dojezdu se sedačka automaticky zastaví.

11 NABÍJENÍ

V horní a dolní části dráhy jsou nabíjecí stanice pro dobíjení baterií sedačky (mohou být k dispozici i další nabíjecí stanice). Pokud sedačka není v nabíjecí stanici ve správné poloze, sedačka bude 15 sekund pípat a na displeji se zobrazí „2“. Pokud jsou baterie vybité, sedačka nefunguje.

12 ČIŠTĚNÍ

Schodišťovou sedačku pravidelně čistěte vlhkým hadříkem; vyhněte se nadměrnému používání vody. Nikdy nepoužívejte kyselý čistič. Zajistěte, aby byla dráha udržována bez nečistot a prachu. V průběhu času mohou kolečka sedačky zanechat na dráze stopu.

PŘÍSLUŠENSTVÍ

13 AUTOMATICKY OTOČNÁ SEDAČKA

Funkce AUTOMATICKY OTOČNÁ SEDAČKA umožňuje automatické

natočení sedáku směrem, kterým budete ze sedačky vystupovat. Pro spuštění funkce, posuňte a podržte joystick ve směru jízdy.

14 ELEKTRICKY OVLÁDANÍ PODNOŽKAÍ

Pro ovládání ELEKTRICKY OVLÁDANÉ PODNOŽKY stiskněte spínač pod područkou. Při sklápění podnožky by měla schodišťová sedačka pípat. Během jízdy vždy zkontrolujte, zda je podnožka ve spodní poloze.

15 SKLOPNÝ KONEC DRÁHYI

S touto možností se sedačka zastaví těsně před začátkem sklopného konce dráhy. Pohybem joysticku nahoru nebo dolů složíte nebo rozložíte sklopný konec dráhy.

16 SKLOPNÝ KONEC DRÁHYI (NABÍJENÍ)

Po použití nenechávejte sedačku na sklopném konci dráhy. Pomocí dálkového ovladače přemístěte sedačku do nabíjecí stanice a dobijte baterie. První zastavovací bod je nabíjecí stanice.

17 PORUCHA SKLOPNÉHO KONCEI DRÁHYI

Pokud během používání schodišťové sedačky dojde k poruše systému sklopné dráhy, vraťte se do horní stanice a přivolejte pomoc. Nepokoušejte se vystoupit v polovině cesty; vystupujte pouze v horních nebo dolních patrech. Ruční sklopení dráhy v případě nouze: stiskněte uvolňovací tlačítko a současně zahýbejte sklopným koncem dráhy. Tip: Zatížení sklopného konce dráhy během normálního provozu

může způsobit, že bude obtížné stisknout uvolňovací tlačítko. Pro snadnější sklopení pohybujte sklopným koncem dráhy současně se stisknutím tlačítka.

18 Zapnuto / vypnuto (volitelně)

V případě výpadku proudu v budově vypněte napájení z výtahu, aby nedošlo k vybití baterie

CZ

V případě poruchy zkontrolujte tyto body:

1. Je sedadlo správně? pozici před odjezdem?
2. Jsou sedák a područky dole?
3. Je výtah zapnutý? (klíčový spínač)
4. Má nouzové zastavení byl aktivován?
5. Je bezpečnostní pás zapnutý?

Ve všech ostatních případech kontaktujte svého dodavatele.

ÚVODNÍ SLOVO

Vaše schodišřová sedačka Handicare 4000 je řúmýslný výrobek, který byl speciálně vyvinut pro řepřevahu jedné osoby (max. 136 kg / 21 st. / 300 lb) sedící na sedaěce (odolná verze: max. 160 kg / 25,2 st. / 352 lb). Před použitím vaší schodišřové sedačky Handicare 4000 si řúkładně přečtěte tuto příručku, abyste se seznámili s tím, jak se schodišřová sedačka ovládá. Uživatřelům, kteří jsou nevidomí a neslyšící, by měla být při používání schodišřové sedačky poskytnuta asistence.

Vaše schodišřová sedačka byla vyrobena pomocí nejmodernějších technologií a v souladu s uznávanými bezpečnostními předpisy, takže si můžete být jisti, že máte bezpečné a spolehlivé řešení.

Nesprávné používání schodišřové sedačky může představovat riziko pro uživatele nebo další osoby nebo způsobit poškození sedačky nebo jiného majetku. Schodišřovou sedačku používejte pouze, když je v dobrém provozním stavu, a v souladu s výše uvedeným použitím a s náležitou pozorností věnovanou této příručce. Tuto příručku vždy uchovávejte u schodišřové sedačky.

BEZPEČNOSTNÍ INSTRUKCE

Při používání schodišřové sedačky vždy dodržujte řpřislušné bezpečnostní předpisy týkající se rizika řurazu elektrickým proudem a zranění.

1. Zajistěte volné prostředí bez překážek v řelce dráhy sedačky.
2. Vezměte v řuvahu vivy prostředí. Nevystavujte sedačku vlhku nebo extrémnímu slunečnímu světu. Zajistěte, aby bylo prostředí dobře osvětlené. Venkovní použití sedačky: pokud sedačku nepoužíváte, vždy ji řpřekryjte.
3. Schodišřovou sedačku by měli používat pouze osoby, které byly seznámeny s pokyny k jejímu použití. Při instalaci je dodavatel povinen použití sedačky řpředvést a uživatel je povinen podepsat prohlášení potvrzující řpřijetí tohoto pokynu.
4. Schodišřová sedačka by měla být používána pouze k řpřevadě jedné osoby; nepoužívejte schodišřovou sedačku k řpřevadě domácích zvířat, zboží nebo více osob najednou, i když náklad nepřekračuje maximální nosnost. Zamezte řpřístupu děti nebo domácích zvířat ke schodišřové sedaěce.
5. Po použití vyjměte klíč, abyste zabránili neoprávněnému použití.
6. Udržujte končetiny a oděv mimo pohyblivé řásti. Zajistěte, aby se široký nebo volný oděv nemohl zachytit mezi sedačku a schodišř nebo dráhu sedačky.
7. Během používání zajistěte bezpečnou polohu. Vždy zajistěte řpřávnou a stabilní polohu. Usaďte se co nejvíce dozadu na sedačku a umístěte nohy co nejblíže ke středu podnožky. Vždy používejte bezpečnostní pás a nikdy na sedaěce nestříte.
8. Dávejte si vždy pozor. Soustředte se na provoz schodišřové sedačky; uvolnění joysticku způsobí zastavení sedačky. Pro opěťovně rozjetí sedačky počkejte 3 sekundy a stiskněte a podržte joystick v řpřožadovaném směru jízdy, dokud se nedostanete do konečné horní nebo dolní polohy dráhy.
9. Před použitím zkontrolujte sedačku, zda není poškozená. Nahlaste svému dodavateli neobvyklé zvuky, jako je skřřipání a vrzání. Aby se řpředešlo nehodám, opravy a preventivní řudřbu by měli provádět pouze kvalifikovaní řečníci.
10. Schodišřová sedačka nesmí být používána v řpřípádě požáru nebo jako řukovný řpřístředek během požáru.
11. Pokud není schodišřová sedačka vybavena komunikačním zařizením, doporučujeme mít takové zařizení vždy po ruce.
12. Schodišřovou sedačku ponechávejte pouze na řurčených místech v řnabližších stanicích.

KONSTRUKCE

Pevnost a obecná vhodnost zdí, schodišř, teras, horních pater, zábradlí, soklů atd., na které je sedačka instalována, ověřuje a řajišřřuje samotný řákazník, a proto v této souvislosti řpřijímá všemhu řpřislušnou odpovědnost. Společnost Handicare Lift ani její autorizovaní prodejci nenesou odpovědnost za vhodnost podkladu, na který je produkt instalován.

ŘUDŘŽBA

Čištění

Schodišřovou sedačku řpřavidelně řištěte vlhkým řadřříkem; vyhněte se nadměrnému množství vody. Zajistěte, aby byla dráha udržována bez neřistot a prachu. V řpřuběhu řasu mohou kolečka sedačky zanechat na dráze stopy.

PREVENTIVNÍ ŘUDŘŽBA

Kromě řištění vaší schodišřové sedačky je pro její dlouhodobé používání nezbytná řpřavidelná preventivní řudřba.

Řervis vaší schodišřové sedačky se musí provádět alespoň jednou ročně a řpřofednictvím kvalifikované osoby. Pokud má vaše schodišřová sedačka více než dva uživatele, doporučujeme provést řervis minimálně řdvakrát ročně.

Během inspekce a řerisu zajistěte elektrickou řázuvku pro řapojení osvětlení. Během používání schodišřové sedačky musí být v řnástupních místech řajišřřeno osvětlení na minimální řhodnotu 50 luxů. Řhodnotu intenzity osvětlení naleznete na obalu řpřislušné řárovky.

ZÁRUKA A ODPOVĚDNOST

Záruční řpodmínky – tato záruka platí po dobu 24 řměsíců od data expedice výrobku z našeho výrobního řávodu.

Než výrobce řpředá součásti, na něž se tato záruka vztahuje, musí být v řplně vyšší uhrzena řákupní cena za výrobek.

Platnost řáruky – tato záruka se vztahuje na opravy ři řvýměny (podle uvážení výrobce) součásti, k jejichž poruchám došlo vlivem vad materiálu ři řpracování. Výrobce může dle svého uvážení poskytnout součásti řenovované ve výrobním řávodě. Tato záruka se poskytuje autorizovaným řprodečům značky Handicare ve prospěch koncových kupujících výrobku a je nepřenositelná. Záruka výroby nepokryvá řmzdové řákklady na řdemontáž, opravu ři řvýměnu součásti, na něž se záruka vztahuje.

Záruka se nevztahuje na poškození způsobená řběžným řopřtřebením, řpřetřením nebo nesprávným používáním a řvýměnu baterií v řdálkovém ovladači.

Doporučujeme řpřovádět řkadřoroční řervis vaší schodišřové sedačky kvalifikovaným řečníkem. Výrobce za řádřných okolností nenese odpovědnost za řmrt, zranění osob, poškození majetku nebo řáhodně, nepředvídané řdřsledky a/nebo řákklady ři řškody vyplývající z používání vaší schodišřové sedačky.

Produkt není řpřovoleno řakkoli řpravovat. V opačném řpřípádě řaniká řáruka. Výrobce neručí za řškody způsobené takovými řpravami.

Výrobce nepřijímá řádřnou odpovědnost za řškody nebo zranění způsobená neřpřodávajícími nebo neřdostatečnými řdřdržovaním bezpečnostních řpředpisů a pokynů uvedených v této řpřručce nebo používání schodišřové sedačky.

Instalaci a řervis by měli řpřovádět pouze řprodeci nebo instalační/řerisní řečníci autorizovaní výrobcem v souladu s řmístními řpředpisy.

Náštěnné řdálkové ovladaěe řpracují na řádřiové řfrekvenci; společnost Handicare Lift nepřijímá odpovědnost za nefunkčnost řsystému v neřpravděpodobném řpřípádě řušení řignálů schodišřové sedačky řjinými řignály.

Toto zařizení bylo řtestováno a řshledáno v souladu s řlimity pro řdigitální zařizení řřřidy B podle řásti 15 řpřavidel FCC. Tyto řlimity jsou řstanoveny řak, aby řposkytovaly řpřiměřenou řochranu před řškodlivým řušením při instalaci v obytných řprostorách.

Toto zařizení řgeneruje, používá a může vřzařřovat vysokofrekvenční energii, a není-li nainstalováno a používáno v souladu s pokyny, může způsobovat řškodlivé řušení řádřiové komunikace.

Nelze vřak řaručit, že při řkonkrétní instalaci řnedojde k řušení řádřiové komunikace. Pokud toto zařizení způsobuje řškodlivé řušení řpřijmu řádřia nebo řtelevize, což lze řurčit vypnutím a řzapnutím zařizení, řuživateli se doporučuje pokusit se řušení řodstranit řjedním nebo více z řnásledujících řopatření:

- řpřeorientujte nebo řpřemístěte řpřijímač antény.
- řzvěťřete řvzdálenost mezi zařizením a řpřijímačem.
- řpřipojte zařizení do řázuvky v řjiném řobvodu, než ke kterému je řpřipojen řpřijímač.
- řpožádejte o řpomoc řprodece nebo řzkušeného řádřiového/řtelevizního řečníka.

TECHNICKÉ SPECIFIKACE

Napájecí napětí	230 V stř.	Rychlost	0.12 m/s (max.)
Frekvence	50/60 Hz	Teplota okolí	0 až 40 °C
El. proud	1 A	Relativní vlhkost	20 - 80%
Napájení 136 kg	360 W	Používání	16 jízdy za 24 hodin (typ.)
Napájení 160 kg	400 W		10 jízdy za hodinu (max.)
Pojistky	30 A	Hluk	56 dB
Nosnost	(std.) 136 kg (300 lb)		
	(h.d.) 160 kg (352 lb)		

Informace uvedené v této příručce jsou založeny na obecných specifikacích týkajících se konstrukce, vlastností materiálů a pracovních metod v době publikace.

Konfigurace schodišťové sedačky Handicare, zejména například jejích částí, jako je systém dráhy, konstrukce schodišťové sedačky, upevňovací součásti, všechny otočné a pohyblivé části a motor, je zvolena na základě know-how společnosti Handicare. Práce na této konfiguraci nebo na jedné nebo více jejích částech mohou provádět pouze prodejci (a jejich zaměstnanci), kteří byli společností Handicare certifikováni k provádění takových prací v souladu s pokyny vydanými společností Handicare. Pouze tito zaměstnanci absolvovali požadované školení, a proto jsou kvalifikováni k zajištění úrovně bezpečnosti, kterou schodišťové sedačky Handicare mají při dodání ze závodu.

Dodavatelé použitých schodišťových sedaček Handicare, jiní než prodejci, kteří byli certifikováni společností Handicare, nemají kvalifikaci k provádění takových prací, např. k instalaci dráhy jiné než originální dráhy Handicare.

To je důležité, protože pokud takové práce provede na schodišťové sedačce kdokoli jiný než výše uvedení kvalifikovaní zaměstnanci nebo pokud je použitý produkt nainstalován s použitím neoriginálních dílů, např. s jinou dráhou, dojde k okamžitému pozbytí platnosti záruky společnosti Handicare a označení CE produktu.

Jakmile se označení CE produktu stane neplatným, znamená to, že daná schodišťová sedačka již nevyhovuje evropským předpisům. V důsledku toho společnost Handicare již nebude odpovědná za jakékoli důsledky vyplývající z poruchy příslušné schodišťové sedačky. Kromě toho lze údržbu schodišťové sedačky Handicare provádět pouze s použitím originálních náhradních dílů, které byly schváleny společností Handicare.

To je důležité, protože pokud budou použity jiné než originální náhradní díly schválené společností Handicare, například jiná dráha, dojde k okamžitému pozbytí platnosti záruky společnosti Handicare a označení CE produktu.

Tato příručka byla původně vyhotovena v nizozemštině.

TECHNIK DEKLARACÍ

Já/my to potvrzujeme dne Já/my jsme důkladně prozkoumali tento výtah a že výše uvedené je správné zpráva o výsledku. I/my prohlašujeme, že postavený schodišťový výtah je složen ze schválených komponentů a instalován podle podle pokynů v instalační příručce. Já/My také prohlašujeme, že jsem uživatelé poučil/a Řekněte mu/jí všechny uživatele, kteří praktikují. Uživatel je nezávisle schopen bezpečně a bez dalšího používat výtah instrukce. Uživatelská příručka byla předána uživateli

Jméno Inženýr:	Jméno Inženýr:
Kvalifikace:	Kvalifikace:
Datum podpisu:	Datum podpisu:
Podpis:	Podpis:
Adresa	Pokud je zaměstnán společností/sdružením>jménem/adresou:

CZ

PROHLÁŠENÍ POUČENÉ OSOBY

Tímto svěčuje uživateli schodišťového výtahu, že výše uvedený technik (instruktoři) deklaroval praxi všech uživatelů a že je znám s celou obsluhou jako pověřená osoba.

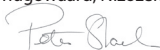
Jméno:	Adresa:
Město:	Telefonní číslo:
Datum podpisu:	Podpis:

ES PROHLÁŠENÍ O SHODĚ PRO STROJNÍ ZAŘÍZENÍ

My, Handicare Newtonstraat 35, 1704 SB Heerhugowaard prohlašujeme, že Handicare 4000 je v souladu s ustanoveními směrnice o strojních zařízeních 2006/42/ES, směrnice o nízkém napětí 2014/35/EU a směrnice o EMC 2014/30/EU.

Schodišťová sedačka byla navržena a vyrobena v souladu s následujícími normami:
EN 81-40, ISO 9386-2, EN ISO 12100-1, EN ISO 12100-2, EN ISO 14121, EN60204-1 (včetně norem EMC).

Heerhugowaard, Nizozemsko, 15. dubna 2023.


P. Slack, viceprezident, Handicare

Rok výroby: 2023

Datum uvedení do provozu:

The declaration of conformity is legal after the installation checklist and the declaration instructed person have been signed off by the engineer and the user. The installation checklist and the declaration instructed person shall be saved by the dealer and made available to Handicare on request.

1 **Fold ned**

Sørg for, at on/off kontakten står på 'ON'. Det diagnostiske display vil lyse, når det er tændt. Fold fodstøtte, armlæn og sæde ned. (*Ekstraudstyr elektrisk fodstøtte > 14*)

2 **Placer fødderne**

Placer dine fødder på fodstøtten. Sørg for, at begge fødder er helt inden for pladen.

3 **Sikkerhed først**

Spænd sikkerhedsselen forsvarligt og sørg for, at den klikker fast i spændet. Sæt nøglen i kontakten og drej den halvfems grader med uret. Tjek, at stolen er i låst position.

4 **Kør**

Bevæg og hold joystick i den ønskede kørselsretning. Displayet viser "8/9", liften vil starte langsomt efter 1 sekund. Når kørselsretningen ændres, vil forsinkelsen være 3 sekunder.

5 **Stopknap**

I nødstilfælde, tryk en gang på stopknappen. Stopknappen lyser. Liften stopper straks. Stopknappen kan udløses ved at trykke på stopknappen igen.

6 **Drejemechanisme**

Liften stopper automatisk for enden af skinnen. Du skal nu dreje sædet manuelt, så det bliver nemmere at komme af og på. For at gøre dette skubbes håndtaget ned {A}. Drej sædet indtil du hører et "klik". Sædet er nu i den rigtige stilling {B}. (*Ekstraudstyr automatisk*

drejesæde > 13)

7 **Løsn bæltet**

Frigør sikkerhedsselen.

8 **Stå op**

Stå op fra sædet.

9 **Fold op**

Fold armlæn og sæde op {A}. Skub håndtaget, placeret til venstre eller lige under sædet, nedad {B}. Drej sædet indtil du hører et "klik". Sædet er nu i den låste position.

10 **Parkere**

Tryk og hold op- eller nedknappen på fjernbetjeningen nede, indtil liften når et stoppunkt. Ved ankomst stopper liften automatisk.

11 **Opladning**

Der er ladepunkter til at oplade liftens batterier øverst og nederst på skinnen (der kan være yderligere ladepunkter). Hvis liften ikke er i den rigtige position ved ladepunktet, bipper liften i 15 sekunder, og displayet viser "2". Liften fungerer ikke, hvis batterierne er løbet tør.

Rengøring

12 Rengør stoleliften jævnlige med en fugtig klud, undgå overdreven brug af vand. Brug aldrig syreholdige rengøringsmidler. Sørg for, at skinnen er fri for snavs og støv. Over tid vil rullerne give mærker på skinnerne.

OPTIONS

13 **Elektrisk drejemechanisme**

Med en AUTOMATISK DREJEMEKANISME kan du

automatisk dreje sædet i den retning du skal. For at gøre dette tryk og hold joysticket i den ønskede kørselsretning.

14 Elektrisk fodstøtte

Til styring af den ELEKTRISKE FODSTØTTE tryk på kontakten under armlænet. Sørg altid for, at fodstøtten er nede under kørsel.

15 Vipbar skinne

Med en HÆNGSLET SKINNE stopper sædet lige over den vipbare skinne. Flyt joysticket op eller ned for at hæve eller sænke skinnen.

16 Vipbar skinne (OPLADNING)

Efterlad ikke liften på den hængslede skinne efter brug. Brug fjernbetjeningen til at flytte liften til et ladepunkt og genoplad batterierne. Det første stoppunkt er et ladepunkt.

17 Vipbar skinne nødbetjening

Hvis du bruger stoleliften og hængsel-systemet svigter, så vend tilbage til den øverste trappeafsats og ring efter hjælp. Prøv ikke at stige af undervejs, stig kun af på øverste eller nederste etage. Manuel vipning af hængslet. I nødstilfælde: tryk på udløserknappen, og bevæg hovedarmen på samme tid. Tip: Belastning af hovedarmen under normal drift kan få tandhjulsdrev-knappen til at modvirke bevægelse. Bevægelse af hovedarmen på samme tid, som der trykkes på udløserknappen, vil reducere trykket på tandhjulet og gøre bevægelse nemmere.

18 Til / Fra (ekstraudstyr)

I tilfælde af strømafbrydelse i bygningen skal du slukke for strømmen fra elevatoren for at undgå batteridræning.

DK

Tjek disse punkter i tilfælde af en fejlfunktion:

1. Er sædet korrekt stilling inden afgang?
2. Er sæde og armlæn nede?
3. Er elevatoren tændt?
(nøglearbryder)
4. Har nødstop blevet aktiveret?
5. Er sikkerhedsselen lukket?

I alle andre tilfælde skal du kontakte din leverandør.

FORORD

Din Handicare 4000 stolelift er et avanceret produkt, som er specielt udviklet til at bære en person (maks. 136 kg), som sidder på sædet (forstærket udgave: maks. 160 kg). For du bruger din Handicare 4000 stolelift, læs venligst denne brugermanual grundigt for at sætte dig ind i, hvordan du bruger din stolelift.

Din stolelift er konstrueret med den nyeste teknologi og i overensstemmelse med godkendte sikkerhedsregulativer, så du kan være sikker på, at du har en sikker og pålidelig løsning.

Ikke desto mindre kan forkert brug af stoleliftens medførende risici for brugeren eller tredjepart, skader på din stolelift eller andre genstande. Brug kun din stolelift, når den fungerer korrekt og i overensstemmelse med den tilsigtede brug, som beskrevet ovenfor, og ved at følge anvisningerne i denne brugermanual. Opbevar altid denne brugermanual i nærheden af stoleliften.

SIKERHEDSANVISNINGER

Når stoleliften bruges, skal passende sikkerhedsforanstaltninger mht. risikoen for elektrisk stød og fysiske skader overholdes.

1. Sørg for uhindrede omgivelser ved at sikre, at hele sporet er fri for forhindringer.
2. Tag miljøpåvirkninger med i dine overvejelser. Udsæt ikke liften for fugt eller ekstremt sollys. Sørg for, at omgivelserne er godt oplyste. Ved udendørs lift: læg altid betrækket over liften, når den ikke er i brug.
3. Stoleliften må kun bruges af personer, som har modtaget tilstrækkelig vejledning. I forbindelse med installationen skal leverandøren demonstrere, hvordan denne stolelift bruges, og brugere skal underskrive en erklæring, som bekræfter at denne demonstration har fundet sted.
4. Stoleliften må kun bruges til at transportere en person: brug ikke din stolelift til kæledyr, varer eller mere end en person ad gangen, også selvom belastningen er mindre end den maksimale brugervægt. Hold børn og kæledyr væk fra stoleliften.
5. Fjern nøglen efter brug for at forhindre uautoriseret brug.
6. Hold lemmer og tøj væk fra bevægelige dele. Sørg for, at stort eller løst tøj ikke kan sætte sig fast mellem stolen og trappen eller skinnerne.
7. Sørg for at sidde sikkert under brug. Sørg altid for en korrekt, stabil position. Sæt dig så langt tilbage i sædet, som du kan, og anbring dine fødder så tæt på midten af fodpladen, som det er muligt. Brug altid sikkerhedssele, og stå aldrig på stoleliften.
8. Vær hele tiden forsigtig. Vær koncentreret om driften af stoleliften, for hvis du slipper betjeningsknappen, stopper liften. For at genstarte liften, vent i 3 sekunder og tryk og hold betjeningsknappen i den ønskede kørselsretning, indtil du når trappeafsatsen eller gangen.
9. Tjek for skader. Tjek liften for ekstern skade for brug. Giv besked om usædvanlige lyde, såsom knagen og piben, til din leverandør. For at undgå ulykker må reparationer og forebyggende vedligeholdelse kun udføres af teknikere, som er kvalificerede til dette.
10. Stoleliften må ikke bruges i tilfælde af brand eller ved brand.
11. Hvis stoleliften ikke er udstyret med en kommunikationsenhed, anbefaler vi, at du altid har en ved hånden.
12. Stig kun ud af stoleliften ved de dertil beregnede steder øverst og nederst på skinnen.

Bygningsmæssige forhold

Styrken og den generelle anvendelighed af vægge, trapper, afsatser, øvre etager, gelændere, sokler, m.m., som skal understøtte eller omgive installationen, er blevet verificeret og godkendt af kunden, som derfor påtager sig hele ansvaret i så henseende. Hverken Handicare eller virksomhedens autoriserede forhandlere kan holdes ansvarlige for egnetheden af de bygningselementer, som omgiver og understøtter installationen.

VEDLIGEHOLDELSE

Rengøring

Rengør stoleliften jævnligt med en fugtig klud, undgå overdreven brug af vand. Sørg for, at skinnen er fri for snavs og støv. Over tid vil rullerne give mærker på skinnerne.

Forebyggende vedligeholdelse

Foruden rengøring af stoleliften er periodisk forebyggende vedligeholdelse nødvendig for den fortsatte anvendelse gennem lang tid. Din stolelift skal serviceres mindst en gang om året af en kvalificeret servicetekniker. Hvis din stolelift har mere end to brugere, anbefaler vi mindst to serviceeftersyn om året. Sørg for, at der er en stikkontakt til rådighed ved evt. behov for lokal belysning under inspektion og servicearbejde. Belysning med en minimumsstyrke på 50 lux skal forefindes ved påstigningsstederne, mens stoleliften er i brug. De fleste el-pære emballager har påtrykt oplysninger om lux-værdi.

GARANTI OG ANSVAR

Garantibetingelser – denne garanti gælder i en periode på 24 måneder fra den dato, hvor produktet transporteres fra vores fabrik. Hele købsprisen for produktet skal være betalt, før producenten kan afsende dele i forbindelse med denne garanti.

Dækning – denne garanti gælder for reparation eller udskiftning, efter producentens valg, af dele som går i stykker pga. fejlbehæftet materiale eller arbejde. Producenten kan, efter eget valg, levere dele som er istandsat på fabrikken. Denne garanti leveres til den autoriserede Handicare-forhandler på vegne af produktets slutkøber og kan ikke videregives.

Producentens garanti dækker ikke udgifter til arbejdskraft til fjernelse, reparation eller udskiftning af garantidele.

Skader forårsaget af normalt slid og ælde, overbelastning eller misbrug samt udskiftning af batterier til fjernbetjeningen dækkes ikke af denne garanti.

Vi anbefaler, at din stolelift serviceres en gang om året af en kvalificeret stolelift-tekniker.

Producenten påtager sig under ingen omstændigheder ansvaret for dødsfald, personskader, skader på ejendele eller hændelige, uforudsete konsekvenser og/eller omkostninger eller skader, der opstår som følge af brugen af din stolelift.

Ombygninger eller ændringer af produktet er ikke tilladt og vil gøre garantien ugyldig. Producenten er ikke ansvarlig for skader, der opstår som resultat af sådanne ændringer.

Producenten påtager sig ikke ansvaret for skader eller tilskadecomst, som skyldes manglende eller utilstrækkelig overholdelse af sikkerhedsforskrifter og anvisninger i denne brugermanual eller forsømmelighed ved installation, anvendelse, vedligeholdelse og reparation af denne stolelift.

Installation og service må kun foretages af forhandlere eller installatorer/serviceteknikere, som er godkendt af producenten i henhold til lokale regler. De vægmonterede betjeningspaneler drives på en radiofrekvens, men Handicare påtager sig ikke ansvaret for systemsvigt ved den usandsynlige forekomst af interferens fra signaler uden for denne stolelift.

Dette udstyr er blevet testet og opfylder grænseværdierne for en digitalhed i klasse B i henhold til afsnit 15 i FCC-reglerne. Formålet med disse grænseværdier er at tilvejebringe rimelig beskyttelse mod skadelig interferens i boliginstallationer.

Dette udstyr skaber, anvender og kan udsende radiofrekvensenergi, og hvis det ikke installeres og bruges i overensstemmelse med instruktionerne, kan det forårsage skadelig interferens for radiokommunikation.

Der er dog ingen garanti for, at der ikke kan forekomme interferens i en bestemt installation. Hvis udstyret fremkalder skadelig interferens i forhold til modtagelse af radio og TV, hvilket kan bestemmes ved at slukke og tænde for udstyret, opfordres brugeren til at forsøge at fjerne interferensen ved hjælp af et eller flere af følgende tiltag:

- Drej på eller flyt den modtagende antenne.
- Gør afstanden mellem udstyret og modtageren større.
- Sæt udstyret til en stikkontakt i et andet kredsløb end det, modtageren er tilsluttet.
- Bed forhandleren eller en erfaren radio/TV tekniker om hjælp.

TEKNISKE SPECIFIKATIONER

Forsyningsspænding	230 VAC	Hastighed	0.12 m/s (maks.)
Frekvens	50/60 Hz	Omgivelsestemperatur	0 - 40°C
Strømstyrke	1 A	Relativ fugtighed	20 - 80%
Effekt 136 kg	360 watt	Brug	16 ture per 24 timer (typ.)
Effekt 160 kg	400 watt		10 ture i timen (maks.)
Sikringer	30 A	Støj	56 dB
Last	(std.) 136 kg (300 lb)		
	(h.d.) 160 kg (352 lb)		

Oplysningerne i denne manual er baseret på generelle specifikationer vedrørende konstruktion, materialegenskaber og arbejdsmetoder på udgivelsestidspunktet.

Konfigurationen af Handicare stoleliften, herunder især (men ikke begrænset til) dens dele, såsom skinnesystemet, konstruktionen af stoleliften, fikseringsdelene, alle dreje- og bevægelige dele og motoren er afhængige af Handicares knowhow. Arbejde på denne konfiguration, eller en eller flere af dens dele, må kun udføres af forhandlere (og disses ansatte), som er certificeret af Handicare til at udføre sådant arbejde i overensstemmelse med anvisningerne fra Handicare. Kun disse ansatte har modtaget den nødvendige oplæring, kun disse kvalificerede ansatte kan levere det sikkerhedsniveau, som Handicare stolelift har, når de leveres fra fabrikken. Leverandører af brugte Handicare stolelifte, som ikke er Handicare-certificerede forhandlere, er ikke kvalificerede til at udføre sådant arbejde, f.eks. installering af skinner til en bruger, som ikke er de originale Handicare skinner.

Dette er vigtigt, for når der udføres arbejde på en Handicare stolelift, eller en brugt Handicare stolelift geninstalleres med andre dele, såsom andre skinner og af andre end de fornævnte kvalificerede ansatte, bortfalder Handicares garanti og den pågældende stolelifts CE-mærke øjeblikkeligt.

Så snart CE-mærket er blevet ugyldigt, betyder det, at den pågældende stolelift ikke længere overholder de europæiske regulativer. Derfor vil Handicare ikke længere være ansvarlig eller kunne drages til ansvar for evt. konsekvenser, hvis den pågældende stolelift svigter. Desuden må vedligeholdelse af Handicare stoleliften kun udføres med originale reservedele, som er godkendt af Handicare.

Dette er vigtigt, for hvis der bruges andre dele end originale reservedele, godkendt af Handicare, såsom andre skinner, bortfalder Handicare garantien og den pågældende stolelifts CE-mærke øjeblikkeligt.

Den hollandske brugermanual er originalsproget.

TEKNIKERS DEKLARATION

Jeg certificerer, den at have undersøgt denne lift grundigt og at det ovenstående er en korrekt resultatrapport. Jeg erklærer, at den opførte stolelift er samlet med godkendte komponenter og installeret i overensstemmelse med anvisningerne i installationsmanualen. Jeg erklærer ligeledes at have instrueret brugeren i alt brug i praksis. Brugeren kan selvstændigt bruge elevatoren sikkert uden yderligere instruktion. Brugermanualen er overdraget til brugeren

Teknikers navn:

Teknikers navn:

Kvalifikationer:

Kvalifikationer:

Underskriftsdato:

Underskriftsdato:

Underskrift:

Underskrift:

Adresse:

Hvis ansat i en virksomhed/organisation
navn/adresse:

INSTRUERET PERSONS DEKLARATION

Hermed bekræfter brugeren af stoleliften, at ovennævnte tekniker har forklaret alt om brugen i praksis, og at han/hun, som instrueret person, er bekendt med hele driften

Navn: Adresse:

By: Telefonnummer:

Underskriftsdato: Underskrift:

EC-OVERENSSTEMMELSESERKLÆRING

Vi, Handicare Newtonstraat 35, 1704 SB Heerhugowaard erklærer, at Handicare 4000 er i overensstemmelse med bestemmelserne af maskindirektivet 2006/42/EF, lavspændingsdirektivet 2014/35/EU og EMC-direktivet 2014/30/EU.

Trappelift er designet og fremstillet i overensstemmelse med følgende standarder:
EN 81-40, ISO 9386-2, EN ISO 12100-1, EN ISO 12100-2, EN ISO 14121, EN60204-1 (inklusive EMC-standarderne).

Heerhugowaard, Holland, 15. april 2023.


P. Slack, vicepræsident, Handicare

Byggeår: 2023

Dato ibrugtagning:

Konformitetserklæringen er juridisk gyldig efter installationstjeklisten med navnet på den person, som er blevet instrueret i i erklæringen, er blevet underskrevet af teknikeren og brugeren. Installationstjeklisten og navnet på den person, som er blevet instrueret i erklæringen, skal gemmes af forhandleren og stilles til rådighed for Handicare efter anmodning.

- 1 Nedfälling**

Se till att strömbrytaren är i läge "PÅ" (ON). Den diagnostiska displayen tänds när den slås på. Fäll ner fotplattan, armstöden och sätet.
(Eldrivet fotstöd som tillval > 14)
- 2 Placera fötterna**

Placera fötterna på fotplattan. Se till att båda fötterna är helt på plattan.
- 3 Säkerheten främst**

Fäst säkerhetsbältet ordentligt och se till att det klickar fast i hållaren. Sätt nyckeln i brytaren och vrid den nittio grader medurs. Kontrollera att stolen är i låst läge.
- 4 Åk**

För och håll joysticken i den riktning du vill åka. Displayen visar "8/9", liften startar långsamt efter 1 sekund. När rörelseriktningen ändras, dröjer det 3 sekunder.
- 5 Stoppknapp**

I en nödsituation, tryck en gång på stoppknappen. Stoppknappen lyser. Liften stannar genast. Stoppknappen kan frigöras genom att trycka på den.
- 6 Svivel**

Liften stannar automatiskt i slutet av spåret. Du ska nu svänga sätet manuellt så att det blir lättare att gå av och på. För att göra detta, tryck ner spaken {A}. Vrid sätet tills du hör ett "klick". Sätet är nu i rätt läge {B}. *(Valfri autosvivel > 13)*
- 7 Lossa bältet**

Lossa säkerhetsbältet.
- 8 Stå upp**

Res dig från stolen.
- 9 Vika ihop**

Fäll upp armstöden och stolsitsen {A}. Tryck ned spaken på höger eller vänster sida under stolen {B}. Vrid stolen tills du hör ett klickljud. Stolen är nu i det låsta läget.
- 10 Parkera**

Håll ner upp- eller nerknappen på fjärrkontrollen tills liften når en stoppunkt. Vid ankomst stannar liften automatiskt.
- 11 Ladda**

Det finns laddningspunkter för att ladda liftens batterier längst upp och längst ner på spåret (det kan finnas ytterligare laddpunkter). Om liften inte är i rätt läge vid laddningspunkten piper liften i 15 sekunder och displayen visar "2". Liften fungerar inte om batterierna är slut.
- 12 Rengöring**

Rengör trappliften regelbundet med en fuktig trasa, undvik överdriven användning av vatten. Använd aldrig ett surt rengöringsmedel. Se till att spåret hålls fritt från smuts och damm. Med tiden kan spårhjulen skapa märken på spåret.
- 13 ALTERNATIV Autosvivel**

Med ett eldrivet svivelsäte som tillval kan du svänga sätet automatiskt för att se i den riktning du åker. För att göra det för och håller du joysticken i färdriktningen.

14 Eldrivet fotstöd
För att manövrera ett ELDRIVET FOTSTÖD trycker du på brytaren under armstödet.
Trappliften ska pipa medan fotstödet fälls.
Se alltid till att fotplattan är nere under körning.

15 Fällbart spår
Med FÄLLBART GÅNGJÄRN stannar sätet precis ovanför det fällbara spåret. För joysticken uppåt eller nedåt för att fälla upp eller ner spåret.

16 Fällbart spår (laddning)
Lämna inte liften på det fällbara spåret efter användning. Använd fjärrkontrollen för att flytta liften till en laddningspunkt och ladda batterierna. Den första stoppunkten är en laddningspunkt.

17 Gångjärnsfunktionen i nödläge
Om du använder trappliften och gångjärnssystemet inte fungerar, vänligen återvänd till den övre landningspunkten och tillkalla hjälp. Försök inte att stiga av mitt under resan, utan endast på den nedre eller övre våningen. För att fälla gångjärnet manuellt i en nödsituation: tryck på frigöringsknappen och flytta huvudarmen samtidigt.
Tips: Belastning av huvudarmen under normal användning kan göra att drevknappen inte verkar kunna röras. Att flytta huvudarmen samtidigt som du trycker på frigöringsknappen minskar trycket på drevet och underlättar rörelsen.

18 På / Av (tillval)
Vid strömavbrott i byggnaden, stäng av strömmen från hissen för att undvika batteridränering.

SE

Kontrollera dessa punkter i händelse av ett fel:

1. Är sitsen i rätt läge position innan avresa?
2. Är sits och armstöd nere?
3. Är hissen på? (nyckelbrytare)
4. Har nödstopp har aktiverats?
5. Är säkerhetsbältet stängt?

I alla andra fall kontakta din leverantör.

FÖRORD

Din Handicare 4000 trapplift är en sofistikerad produkt som har utvecklats speciellt för att bära en person (max 136 kg/21 stone/300 pund) som sitter på sätet (kraftig typ: max 160 kg/25,2 stone/352 pund). Innan du använder din Handicare 4000 trapplift, läs den här bruksanvisningen noga för att bekanta dig med hur du använder trappliften.

Trappliften har byggts med den senaste tekniken och i enlighet med vedertagna säkerhetsföreskrifter, så att du kan vara säker på att du har en säker och pålitlig lösning.

Felaktig användning av trappliften kan dock leda till risker för användaren eller tredje part, skador på trappliften eller andra föremål. Använd endast trappliften när den är i fungerande skick, i enlighet med den avsedda användningen som beskrivs ovan och vederbörligt beaktande av denna bruksanvisning. Förvara alltid denna bruksanvisning i närheten av trappliften.

SÄKERHETSANVISNINGAR

läkta alltid tillämpliga säkerhetsföreskrifter vad gäller risk för elchock och fysiska skador när du använder trappliften.

1. Se till att ha en obehindrad miljö genom att säkerställa att hela banan är fri från hinder.
2. Ta hänsyn till miljöpåverkan. Exponera inte liften för fukt eller extremt solljus. Se till att miljön är väl belyst. Om liften är utomhus: lägg alltid skyddet över liften när den inte används.
3. Trappliften får endast användas av personer som har fått tillämplig vägledning. Vid installation ska leverantören visa hur denna trapplift används och användaren ska skriva under en försäkran som bekräftar att användaren erhållit denna information.
4. Trapplifftar får endast användas för att transportera en person: använd inte trappliften för att transportera husdjur, varor eller fler än en person åt gången, även om lasten är lättare än den högsta tillåtna användarvikten. Håll barn och husdjur borta från trappliften.
5. Avlägsna nyckeln efter användning för att förhindra obehörig användning.
6. Håll armar, ben och kläder borta från rörliga delar. Se till att vida eller löst sittande kläder inte kan fastna mellan stolen och trapporna eller skenan.
7. Säkerställ en säker position vid användning. Se till att positionen alltid är korrekt och stabil. Sitt så långt bak på stolen som du kan och placera fötterna så nära fotstödet mitt som du kan. Använd alltid säkerhetsbältet och stå aldrig på trappliften.
8. Var alltid försiktig. Koncentrera dig på trappliftens manövrering då liften stannar om du släpper manöverspaken. Vänta 3 sekunder för att starta om liften. Tryck och håll spaken i önskad transportriktning tills du når trappavsatsen eller hallen.
9. Kontrollera om det finns skador. Kontrollera om liften har externa skador innan användning. Rapportera ovanliga ljud, som gnissel och knarrande, till leverantören. För att undvika olyckor, får reparationer och förebyggande underhåll endast utföras av tekniker behöriga att göra detta.
10. Trappliften får inte användas i händelse av brand eller av flyktväg från brand.
11. Om trappliften inte är utrustad med en kommunikationsenhet rekommenderar vi att du alltid har en till hands.
12. Lämna bara trappliften vid de angivna platserna längst upp och ner på spåret.

Konstruktion

Styrkan och den allmänna lämpligheten hos väggen, trappan, avsatserna, golven, ledstängerna, socklarna etc. som ska stödja eller omge installationen har verifierats och säkerställts av kunden, som därmed tar på sig allt ansvar. Varken Handicare eller dess auktoriserade återförsäljare kan hållas ansvariga vad gäller lämpligheten för konstruktionerna som omger och stödjer installationen.

UNDERHÅLL

Rengöring

Rengör trappliften regelbundet med en fuktig trasa, undvik överdriven användning av vatten. Se till att spåret hålls fritt från smuts och damm. Med tiden kan spårhulen skapa märken på spåret.

Förebyggande underhåll

Förutom att rengöra trappliften, är regelbundet förebyggande underhåll nödvändigt för fortsatt långsiktig användning.

Trappliften ska servas minst en gång om året av en behörig person. Om trappliften har fler än två användare, rekommenderar vi minst två servicetillfällen om året.

Gör ett eluttag tillgängligt för lokal belysning om det behövs under inspektion och service. Det ska finnas en belysning på minst 50 lux vid på- och avstigningspunkterna när trappliften används. De flesta förpackningar med glödlampor specificerar lampans luvårde.

GARANTI OCH ANSVAR

Garantiperiod – denna garanti gäller i 24 månader från det datum då produkten skickades från vår fabrik. Inköpspriset för produkten måste betalas i sin helhet för att tillverkaren ska släppa delar under denna garanti.

Täckning – denna garanti gäller reparation eller byte, efter tillverkarens val, av delar som går sönder på grund av bristfälligt material eller utförande. Tillverkaren kan, efter eget val, tillhandahålla fabriksrenoverade delar. Denna garanti ges till den auktoriserade Handicare-återförsäljaren på uppdrag av den slutliga köparen av produkten och kan inte överlåtas. Tillverkarens garanti täcker inte arbetskostnader för borttagning, reparation eller byte av garantidelar.

Skador orsakade av normalt slitage, överbelastning eller missbruk samt batteribyte i fjärrkontrollen omfattas inte av denna garanti.

Vi rekommenderar att trappliften servas varje år av en behörig trapplifttekniker.

Tillverkaren kan under inga förutsättningar ta ansvar för dödsfall, personskador, skador på egendom eller oförutsedda konsekvenser och/eller kostnader eller skador till följd av användning av trappliften.

Det är inte tillåtet att göra ändringar på produkten. Detta upphäver garantin. Tillverkaren ansvarar inte för skador till följd av sådana ändringar.

Tillverkaren tar inget ansvar för skador som orsakats av att säkerhetsföreskrifter och anvisningar i denna bruksanvisning inte följts eller skador på grund av värdeslöshet vid installation, användning, underhåll och reparation av denna trapplift.

Installation och service får endast utföras av återförsäljare eller installatörer/servicetekniker som godkänts av tillverkaren i enlighet med lokala föreskrifter.

De väggmonterade fjärrkontrollerna drivs med hjälp av en radiofrekvens. Handicare kan inte ansvara för systemets obrukbarhet i osannolikt händelse av störningar från signaler utanför denna trapplift.

Denna utrustning har testats och befunnits uppfylla gränsvärdena för digital utrustning Klass B, i enlighet med del 15 av FCC:s bestämmelser.

Avsikten med dessa gränsvärden är att ge ett tillfredsställande skydd mot skadlig störning vid installation i bostäder.

Denna utrustning alstrar, använder och kan utstråla radiofrekvensenergi och om den inte installeras och används i enlighet med anvisningarna kan den orsaka skadlig störning på radiokommunikation.

Det finns emellertid ingen garanti för att störningar inte kommer att inträffa vid en viss installation.

Om denna apparat stör radio- eller tv-mottagning, vilket man kan konstatera genom att stänga av och sätta på apparaten, uppmanas användaren att försöka korrigera störningen genom en eller flera av följande åtgärder:

- Rikta om eller flytta den mottagande antennen.
- Öka avståndet mellan apparaten och mottagaren.
- Ansluta apparaten till ett uttag i en annan strömkrets än den som mottagaren är ansluten till.
- Rådgrö med återförsäljaren eller en erfaren radio- och tv-tekniker.

TEKNISKA SPECIFIKATIONER

Matarspänning	230 VAC	Hastighet	0.12 m/s (max.)
Frekvens	50/60 Hz	Omgivningstemperatur	0 - 40°C
Ström	1 A	Relativ luftfuktighet	20 - 80%
Effekt 136 kg	360 watt	Kapacitet	16 turer per 24 timmar (typ.)
Effekt 160 kg	400 watt		10 turer per timme (max.)
Säkringar	30 A	Buller	56 dB
Last	(std.) 136 kg (300lb) (h.d.) 160 kg (352 lb)		

Informationen i denna handbok är baserad på allmänna specifikationer avseende konstruktion, materialegenskaper och arbetsmetoder vid tidpunkten för publicering.

Handicare-trappliftens konfiguration, inklusive (men inte begränsat till) dess delar som spårsystemet, trappliftens konstruktion, fästdelarna, alla svängbara och rörliga delar och motorn är beroende av Handicares kunskap och erfarenhet. Arbete med denna konfiguration eller med en eller flera av dess delar får endast utföras av återförsäljare (och deras anställda) som har certifierats av Handicare för att utföra sådant arbete i enlighet med instruktionerna från Handicare. Endast dessa anställda har fått den utbildning som krävs; endast dessa kvalificerade anställda kan tillhandahålla den säkerhetsnivå som Handicare trappliftar har vid leverans från fabrik. Leverantörer av begagnade Handicare trappliftar som inte är återförsäljare, som har certifierats av Handicare, är inte kvalificerade att utföra sådant arbete, t.ex. installera ett spår för en annan användare än det ursprungliga Handicare-spåret.

Detta är viktigt, för när arbete utförs på en Handicare-trapplift eller när andra delar monteras på en begagnad Handicare-trapplift, till exempel en annan skena, av någon annan än de ovan nämnda kvalificerade anställda, blir Handicares garanti och CE-märkning för trappliften i fråga ogiltig med omedelbar verkan.

När CE-märket har blivit ogiltigt betyder det att trappliften i fråga inte längre uppfyller europeiska regler. Som ett resultat ansvarar inte längre Handicare för eventuella konsekvenser som uppstår till följd av att trappliften i fråga inte fungerar korrekt. Dessutom får underhåll på Handicare trapplift endast utföras med originaldelar som har godkänts av Handicare.

Detta är viktigt, för om andra delar än originalreservdelar som godkänts av Handicare, som t.ex. en annan skena, används, kommer Handicare-garantin och CE-märket för trappliften i fråga att bli ogiltig med omedelbar verkan.

Den holländska manualen är originalspråk.

INSTALLATÖRENS DEKLARATION

Jag/Vi garanterar att jag/vi den noggrant undersökt denna hiss och att ovanstående information utgör en korrekt rapport över resultatet. Jag/Vi deklarerar att den monterade trapphissen är sammansatt av godkända delar och installerad enligt instruktionerna i installationsmanualen. Jag/Vi deklarerar även att jag har informerat användaren om samtliga användarinstruktioner. Användaren kan självständigt använda hissen säkert utan vidare instruktion. Bruksanvisningen har överlämnats till användaren.

Installatörens namn:	Installatörens namn:
Kvalifikationer:	Kvalifikationer:
Datum för signatur:	Datum för signatur:
Signatur:	Signatur:
Adress:	Om anställd av företag/organisation>namn/adress:

DEN INSTRUERADES FÖRKLARING

Härmed bekräftar användaren av trapphissen att ovanstående installatören har informerat om samtliga användarinstruktioner och att han/hon i egenskap av instruerad person tagit del av samtliga instruktioner för användning.

Namn: Adress:

Ort: Telefonnummer:

Datum: Signatur:

EG-DEKLARATION OM ÖVERENSSTÄMMELSE

Vi, Handicare Newtonstraat 35, 1704 SB Heerhugowaard förklarar att Handicare 4000 är i överensstämmelse med bestämmelserna av maskindirektivet 2006/42/EG, lågspänningsdirektivet 2014/35/EU och EMC-direktivet 2014/30/EU.

Trappliften har designats och tillverkats i enlighet med följande standarder:
EN 81-40, ISO 9386-2, EN ISO 12100-1, EN ISO 12100-2, EN ISO 14121, EN60204-1 (inklusive EMC-standarderna).

Heerhugowaard, Nederländerna, 15 april 2023.


P. Slack, vice President, Handicare Byggår: 2023 Datum ibruktagande:

Försäkran om överensstämmelse är gällande efter att installationschecklistan och den person som har instruerats om försäkran har undertecknats av teknikern och användaren. Installationschecklistan och den person som har instruerats om försäkran ska sparas av återförsäljaren och göras tillgängliga för Handicare på begäran.

SE

1 Brett ned

Pass på at av/på-bryteren står i «PÅ»-posisjon. Diagnosedisplayet vil lyse når det er påslått. Fell ned fotplaten, armlenene og setet. *(Valgfri motordrevet fotstøtte > 14)*

2 Plasser føttene

Plasser føttene dine på fotplaten. Pass på at begge føttene er helt inne på platen.

3 Sikkerhet først

Fest setebeltet godt, pass på at det klikker på plass i holderen. Sett nøkkelen i bryteren og vri den nitti grader med urviseren. Kontroller at stolen er i låst posisjon.

4 Kjør

Flytt og hold styrespaken i ønsket kjøreretning. Displayet viser «8/9», heisen vil starte sakte etter 1 sekund. Ved endring av kjøreretning vil fosinkelsen være 3 sekunder.

5 Stopp-knapp

Trykk én gang på stoppknappen i en nødssituasjon. Stoppknappen lyser. Heisen stopper med én gang. Stoppknappen kan slippes ved å trykke den inn.

6 Svinge

Heisen stopper automatisk ved enden av skinnen. Du bør nå svinge setet manuelt, slik at det er lettere å gå av og på. For å gjøre dette trykker du på spaken {A}. Sving setet til du hører et «klikk». Setet er nå i riktig posisjon {B}. *(Valgfri autosvingfunksjon > 13)*

7 Løsne beltet

Ta av sikkerhetsbeltet.

8 Stå opp

Reis deg opp fra setet.

9 Brette opp

Hev armlenene og setet {A}. Trykk håndtaket som er plassert på venstre eller høyre side under setet, nedover {B}. Drei setet til du hører et klikk. Setet er nå i låst posisjon.

10 Parker

Trykk og hold inne opp- eller nedknappen på fjernkontrollen til heisen kommer til et stoppunkt. Ved ankomst stopper heisen automatisk.

11 Lade

Det er ladepunkter for lading av heisens batterier øverst og nederst på skinnen (det kan være flere ladepunkter). Hvis heisen ikke er i riktig posisjon ved ladepunktet, piper heisen i 15 sekunder og displayet viser «2». Heisen fungerer ikke hvis batteriene er tomme.

12 Rengjøring

Rengjør trappeheisen med en fuktig klut; unngå bruk av for mye vann. Bruk aldri et syreholdig rengjøringsmiddel. Sørg for at sporet holdes fritt for smuss og støv. Over tid kan sporhjulene etterlate seg merker på skinnen.

ALTERNATIVER

13 Autosving

Alternativet MOTORDREVET SVINGSETE lar deg svinge setet automatisk slik at det er vendt mot retningen du skal gå. For å gjøre dette, dytt og hold styrespaken i ønsket kjøreretning.

14 Motordrevet fotstøtte
For å betjene en MOTODREVET FOTSTØTTE trykk på bryteren under armlenet. Trappeheisen vil pipe mens fotstøtten felles. Sørg alltid for at fotplaten er i nedposisjon under kjøring.

15 Vippbar skinne
Med alternativet FELLEHENGSEL stopper setet rett ovenfor den hengslede skinnen. Flytt styrespaken opp eller ned for å felle skinnen inn eller ut.

16 Vippbar skinne (lading)
Ikke la heisen være på den vipbare skinnen etter bruk. Bruk fjernkontrollen til å flytte heisen til et ladepunkt og lad batteriene. Det første stoppunktet er et ladepunkt.

17 Nødfunksjon for hengsel
Hvis du bruker stolheisen og hengselsystemet svikter, kjør tilbake til øvre repos og ring etter assistanse. Ikke forsøk å gå av midt i en tur, gå kun av i øvre eller nedre etasje. Felle opp hengselet manuelt i tilfelle nødsituasjon: trykk inn utløserknappen og beveg hovedarmen på samme tid.
Tips: Belasting av hovedarmen under normal drift kan forårsake at tannhjulsknotten virker som den motsetter seg bevegelse. Bevegelse av hovedarmen samtidig med trykking på utløsningsknappen vil redusere trykket på tannhjulet og gjøre bevegelse lettere.

18 På / Av (valgfritt)
Ved utstengning i bygningen, slå av strømmen fra heisen for å unngå batteridrenering.

Sjekk disse punktene i tilfelle feil:

1. Er setet riktig stilling før avreise?
2. Er sete og armlener nede?
3. Er heisen på? (nøkkelbryter)
4. Har nødstopp blitt aktivert?
5. Er sikkerhetsbeltet lukket?

I alle andre tilfeller kontakt din leverandør.

NO

FORORD

Din Handicare 4000 trappeheis er et sofistikert produkt som er blitt spesielt utviklet for å bære én person (maks 136 kg) sittende på setet (type for tung belastning: maks 160 kg). Les denne håndboken nøye for du bruker Handicare 4000 trappeheis, slik at du kan gjøre deg kjent med hvordan du betjener heisen.

Trappeheisen er konstruert ut fra den nyeste teknologien og i henhold til vedtatte sikkerhetsforskrifter, slik at du kan stole på at du har en trygg og pålitelig løsning.

Ikke desto mindre kan feil bruk av trappeheisen føre til risiko for brukeren eller tredjeparter, skade på trappeheisen eller på andre gjenstander. Bruk kun trappeheisen når den er i god teknisk stand, i henhold til tiltenkt bruk beskrevet ovenfor og i samsvar med instruksjoner i denne håndboken. Oppbevar alltid denne håndboken i nærheten av trappeheisen.

SIKERHETSINSTRUKSER

Når du bruker trappeheisen, må du alltid følge egnede sikkerhetsforskrifter vedrørende fare for elektrisk støt og fysisk skade.

1. Sørg for uhindrede omgivelser ved å sørge for at hele sporet er fri for hindringer.
2. Ta miljømessige påvirkninger i betraktning. Ikke utsett heisen for fuktighet eller overdrevent sollys. Sørg for at omgivelsene er godt opplyst. I tilfelle utendørs heis: legg alltid på overtrekket på heisen når den ikke er i bruk.
3. Heisen skal kun brukes av personer som har fått den nødvendige veiledningen. Ved installasjon kreves det at leverandøren demonstrerer hvordan heisen skal brukes, og brukeren må signere avtalen som bekrefter at instruksjonene har blitt mottatt.
4. Heiser skal kun brukes til transport av én person: Ikke bruk trappeheisen til å transportere kjæledyr, varer eller mer enn én person av gangen, selv om lasten veier mindre enn den maksimale brukervekten. Hold barn og kjæledyr borte fra trappeheisen.
5. Fjern nøkkelen etter bruk for å forhindre uautorisert bruk.
6. Hold kropsdeler og klær unna bevegelige deler. Sørg for at vide eller løse klær ikke kan bli sittende fast mellom stolen og trappetrinnene eller skinnen.
7. Sørg for en trygg posisjon under bruk. Sørg for en korrekt, stabil posisjon. Sitt så langt bak i setet som du kan, og plasser føttene så tett mot midten av fotplaten som mulig. Bruk alltid sikkerhetsbeltet, og stå aldri i trappeheisen.
8. Vær forsiktig til enhver tid. Konsentrer deg om betjeningen av trappeheisen da heisen stopper hvis du slipper startknappen. For å starte heisen på nytt, vent tre sekunder og skyv og hold knappen i ønsket kjøretning til du når trappeavsetningen eller korridøren.
9. Kontroller for skade. Kontroller heisen for utvendig skade før bruk. Rapporter uvanlige lyder, slik som nirke- og knakelyder, til leverandøren din. For å unngå ulykker, skal reparasjoner og forebyggende vedlikehold kun utføres av kvalifiserte teknikere.
10. Trappeheisen må ikke brukes ved brann, eller som en fluktmåte under en brann.
11. Trappeheisen har ingen kommunikasjonsenhet, og vi anbefaler at du alltid har en slik for hånden.
12. Forlåt kun trappeheisen på de angitte stedene oppe og nede på skinnen.

Konstruksjon

Styrken på og den generelle egnetheten av vegger, trapper, avsatser, gulv i overetasjen, gelendere, plinter etc. som støtter eller omgir installasjonen, har blitt godkjent og sikret av kunden, som derfor aksepterer alt ansvar knyttet til dette. Verken Handicare eller deres autoriserte forhandlere kan holdes ansvarlig for egnetheten til konstruksjonene som omgir og støtter installasjonen.

VEDLIKEHOLD

Rengjøring

Rengjør trappeheisen med en fuktig klut; unngå bruk av for mye vann. Sørg for at sporet holdes fritt for smuss og støv. Over tid kan sporhjulene etterlate seg merker på skinnen.

Forebyggende vedlikehold

I tillegg til å rengjøre trappeheisen er det nødvendig med forebyggende vedlikehold for langvarig bruk.

Trappeheisen trenger service utført av en kvalifisert person minst en gang i året. Hvis trappeheisen har flere enn to brukere anbefaler vi minst to servicetjenestefellere per år.

Sørg for at en stikkontakt er tilgjengelig for å gi belysning hvis nødvendig under inspeksjon og service. Det skal være belysning med en minimumverdi på 50 lux ved på-/avstigningsstedene mens trappeheisen er i bruk. De fleste lyspærer har emballasje hvor luxverdien på lyspæren er spesifisert.

GARANTI OG ANSVAR

Garantiperiode – denne garantien gjelder i en periode på 24 måneder fra datoen som produktet sendes ut fra fabrikken vår. Produktets kjøpspris må være betalt i sin helhet for at produsenten skal kunne frigi deler under denne garantien.

Dekning – denne garantien gjelder for reparasjon eller erstatning, alt etter produsentens skjønn, av deler som svikter på grunn av defekt i materiale eller utførelse. Produsenten kan, etter eget skjønn, utlevere fabrikkoverholte deler. Denne garantien ytes til den autoriserte Handicare-forhandleren på vegne av produktets sluttbruker og kan ikke overføres.

Produsentgarantien dekker ikke arbeidskostnader for demontering, reparasjon eller utskifting av garantideler.

Skade forårsaket av normal slitasje, overbelastning eller feilbruk, og skifting av batterier i fjernkontrollen, dekkes ikke av denne garantien.

Vi anbefaler at trappeheisen får utført service årlig av en egnet og kvalifisert trappeheistekniker.

Produsenten kan ikke under noen omstendighet påta seg ansvar for død, personskade, skade på eiendom eller tilfældige, uforutsette konsekvenser og/eller kostnader som er et resultat av bruk av trappeheisen.

Det gis ikke adgang til endringer på produktet, og utføring av dette vil ugyldiggjøre garantien. Produsenten er ikke ansvarlig for skade som er et resultat av slike endringer.

Produsenten står ikke ansvarlig for defekt eller skade som følge av manglende overholdelse av sikkerhetsforskrifter og -instruksjoner i denne håndboken, eller uaktsomhet under installasjon, bruk, vedlikehold og reparasjon av trappeheisen.

Installasjon og service skal kun utføres av forhandlere eller installatører/serviceteknikere autorisert av produsenten i henhold til lokale bestemmelser. De veggmonterte fjernkontrollene drives på en radiofrekvens; Handicare kan ikke ta ansvar for driftsstans i systemet i det lite sannsynlige tilfellet at eksterne signaler gir forstyrrelser på trappeheisen.

Utstyret er testet og funnet å overholde grensene for digitale enheter av Klasse B, i henhold til avsnitt 15 i FCC-reglene. Disse grensene er satt for å gi en rimelig beskyttelse mot skadelig interferens i en boliginstallasjon.

Utstyret genererer, bruker og kan utstråle radiofrekvent energi, og hvis det ikke installeres og brukes i henhold til instruksjonene, vil det kunne gi interferens som påvirker radiokommunikasjon negativt.

Det finnes midlertid ingen garanti for at det ikke vil oppstå interferens i en gitt installasjon.

Hvis utstyret gir interferens som skader radio- eller TV-mottak, hvilket man kan sjekke ved å slå utstyret AV og PÅ, oppfordres brukeren til å prøve å korrigere interferensen ved hjelp av ett eller flere av følgende tiltak:

- Bytt retning på eller flytt mottaksantennen.
- Øk avstanden mellom utstyret og mottakeren.
- Tilslutt utstyret til en stikkontakt på en annen strømkrets enn den mottakeren er tilkoblet.
- Søk hjelp hos forhandleren eller en erfaren radio-/TV-tekniker.

NO

TEKNISKE SPESIFIKASJONER

Nettspenning	230 VAC	Hastighet	0.12 m/s (maks.)
Frekvens	50/60 Hz	Omgivelsestemperatur	0 - 40°C
Strøm	1 A	Relativ fuktighet	20 - 80%
Effekt 136 kg	360 watt	Bruk	16 kjøreturer per 24 timer (typ.)
Effekt 160 kg	400 watt		10 kjøreturer per timen (maks.)
Sikringer	30 A	Støy	56 dB
Last	(std.) 136 kg (300lb)		
	(h.d.) 160 kg (352 lb)		

Informasjonen i denne håndboken er basert på generelle spesifikasjoner angående konstruksjon, materialegenskaper og arbeidsmetoder på publiseringstidspunktet.

Konfigurasjonen av Handicare-trappeheisen, inkludert spesielt (men ikke begrenset til) dens deler slik som skinnesystemet, konstruksjonen av trappeheisen, festedelen, alle dreibare og bevegelige deler og motoren, er avhengig av Handicares fagkunnskap. Arbeid på denne konfigurasjonen eller én eller flere av dens deler kan kun utføres av forhandlere (og deres ansatte) som har blitt godkjent av Handicare til å utføre slikt arbeid i samsvar med instruksjonene gitt av Handicare. Kun disse ansatte har mottatt den nødvendige opplæringen; kun disse kvalifiserte ansatte kan sørge for graden av sikkerhet som Handicrafts trappeheiser har når de leveres fra fabrikk. Leverandører av brukte Handicare-trappeheiser, utenom forhandlerne som har blitt godkjent av Handicare, er ikke kvalifisert til å utføre slikt arbeid, f.eks. montering for en bruker av en annen skinne enn den opprinnelige Handicare-skinne.

Dette er viktig, for når arbeid utføres på en Handicare-trappeheis eller en brukt Handicare-trappeheis installeres på nytt med andre deler, slik som en annen skinne, av noen andre enn de ovennevnte kvalifiserte ansatte, vil Handicares garanti og CE-merket for den aktuelle trappeheisen bli ugyldig med øyeblikkelig virkning.

Når CE-merket har blitt ugyldig, betyr dette at den aktuelle trappeheisen ikke lenger etterkommer europeiske bestemmelser. Som en følge, vil ikke Handicare lenger stå ansvarlig for eller ha ansvar for noen konsekvenser som oppstår ved svikt i den aktuelle trappeheisen. Dessuten kan vedlikehold på Handicare-trappeheisen kun utføres ved å bruke originale reservedeler som har blitt godkjent av Handicare. Dette er viktig, for hvis det brukes andre deler enn originale reservedeler godkjent av Handicare, slik som en annen skinne, blir Handicare-garantien og CE-merket for den aktuelle trappeheisen ugyldig med øyeblikkelig virkning.

Den nederlandske håndboken er på originalspråket.

ERKLÆRING FRA INGENIØR

Jeg/vi bekrefter at jeg/vi gikk nøye over denne heisen, og at opplysningene ovenfor er en korrekt fremstilling av resultatet. Jeg/vi erklærer at den monterte trappeheisen er sammensatt av godkjente deler og installert i henhold til anvisningene i installasjonsmanualen. Jeg/vi erklærer også at jeg/vi har gitt brukeren instruksjon ved å forklare han/henne alle brukerprosedyrer. Brukeren kan selvstendig bruke heisen uten videre instruksjon. Brukerhåndboken er overlevert til brukeren.

Navn Ingeniør:	Navn Ingeniør:
Kompetanse:	Kompetanse:
Underskrift dato:	Underskrift dato:
Underskrift:	Underskrift:
Adresse:	Hvis ansatt av et selskap/firma>navn/adresse:

ERKLÆRING INSTRUERT PERSON

Herved bekrefter brukeren av trappeheisen at den ovenfor nevnte ingeniøren har gitt en fullstendig veiledning om trappeheisens bruk, og at han/hun kjenner alle brukerprosedyrer.

Navn: Adresse:

By: Telefonnummer:

Dato: Underskrift:

NO

EC-SAMSVARSERKLÆRING N

Vi, Handicare Newtonstraat 35, 1704 SB Heerhugowaard erklærer at Handicare 4000 er i samsvar med bestemmelsene av maskindirektivet 2006/42/EC, lavspenningsdirektivet 2014/35/EU og EMC-direktivet 2014/30/EU.

Trappeheisen er designet og produsert i henhold til følgende standarder:
EN 81-40, ISO 9386-2, EN ISO 12100-1, EN ISO 12100-2, EN ISO 14121, EN60204-1 (inkludert EMC-standardene).

Heerhugowaard, Nederland, 15. april 2023.


P. Slack, visepresident, Handicare

Byggeår: 2023

Dato tatt i bruk:

Samsvarserklæringen er gyldig etter at installasjonssjekklisten og navnet på den erklæringsopplærte personen har blitt godkjent av teknikeren og brukeren. Installasjonssjekklisten og navnet på den erklæringsopplærte personen skal lagres av forhandleren og gjøres tilgjengelig for Handicare på forespørsel.

1 Baixar

Certifique-se de que o interruptor on/off (ligar/desligar) está colocado na posição “ON” (ligado).

O painel de diagnóstico acende assim que ligado. Baixe a base de apoio para os pés, os apoios de braços e o assento. (*Apoio de pés elétrico opcional > 14*)

2 Coloque os pés

Coloque os seus pés na base de apoio para pés. Certifique-se de que ambos os pés estão completamente na base.

3 Segurança em primeiro lugar

Coloque o cinto de segurança, certificando-se de que o mecanismo faz um clique. Coloque a chave no interruptor e rode-a noventa graus no sentido dos ponteiros do relógio. Verifique se a cadeira está na posição bloqueada.

4 Andar

Desloque e mantenha o joystick na direção do movimento desejado. O painel indica “8/9”, o elevador começará lentamente após 1 segundo. Ao mudar a direção de movimento haverá um atraso de 3 segundos.

5 Botão de paragem

Em caso de emergência, pressione o botão de paragem uma única vez. O botão de emergência acende. O elevador para imediatamente. O botão de paragem pode ser desativado premindo o botão de paragem.

6 Rotação

O elevador para automaticamente no fim do carril. Deve agora girar o

assento manualmente, facilitando a saída do assento. Para tal, empurre para baixo a alavanca{A}. Gire o assento até ouvir um ‘clique’.

O assento está agora na posição correta{B}. (*Cadeira giratória opcional > 13*)

7 Afrouxar o cinto

Abra o cinto de segurança.

8 Ficar de pé

Saia da cadeira.

9 Dobre

Coloque os apoios dos braços e o assento da cadeira para cima {A}. Desloque a alavanca do lado esquerdo ou direito da cadeira para baixo {B}. Gire a cadeira até ouvir um clique. Agora, a cadeira está na posição bloqueada.

10 Estacionar

Pressione e mantenha o botão para cima ou para baixo no controlo remoto, pressionado até que o elevador chegue ao ponto de paragem. O elevador para automaticamente assim que chegar ao ponto de carga.

11 Carregar

Há pontos de carga para recarregar as baterias do elevador na parte de cima e debaixo do carril (podem haver pontos de carga adicionais). Se o elevador não estiver na posição correta no ponto de carga, o elevador emite um sinal sonoro durante 15 segundos e no painel aparece “2”. O elevador não funciona se as baterias estiverem vazias.

- 12 Limpeza**
Limpe regularmente a cadeira elevador com um pano húmido; evite o uso excessivo de água. Nunca utilize um produto de limpeza ácido. Certifique-se de que o trilho está livre de sujidade e pó. Com o tempo, as rodas do trajeto

- OPÇÃO**
13 Rotação elétrica
A opção ROTAÇÃO ELÉTRICA DO ASSENTO permite-lhe girar automaticamente a cadeira na direção do movimento que você vai realizar. Para tal, empurre e mantenha o joystick pressionado na direção do movimento.

- 14 Apoio de pés elétrico**
Para operar o APOIO DE PÉS ELÉTRICO pressione o interruptor por baixo do apoio dos braços. A cadeira elevador deve emitir um sinal sonoro ao levantar o apoio de pés. Certifique-se sempre de que a base de apoio para pés está na posição baixa durante a viagem.

- 15 Trilho articulado**
Com a opção DOBRADIÇA REBATÍVEL, o assento para logo acima do trilho articulado. Mova o joystick para cima ou para baixo para dobrar ou desdobrar o trilho.

- 16 Trilho articulado (carregar)**
Não deixe o elevador no trilho articulado após a utilização. Utilize o controlo remoto para deslocar o elevador para um ponto de carga e recarregar as baterias. O primeiro ponto de paragem é um ponto de carga.

- 17 Operação de emergência para o trilho**
Se estiver a utilizar a cadeira elevador e o sistema do trilho falhar, volte ao piso superior e solicite assistência. Não se levante a meio do trajeto, faça-o unicamente no piso inferior ou superior. Dobrar o trilho manualmente em caso de emergência: pressione o botão de desbloqueio e mova o braço principal ao mesmo tempo. Dica: O carregamento do braço principal durante o funcionamento normal pode fazer com que o botão do pinhão pareça resistente ao movimento. Mover o braço principal ao mesmo tempo que prime o botão de desbloqueio reduzirá a pressão sobre o pinhão e facilitará o movimento.

- 18 Sobre / desligado (opção)**
Em caso de falta de energia no edifício, desligue a energia do elevador para evitar a drenagem da bateria.

Verifique estes pontos em caso de mau funcionamento:

1. O assento está na posição correta? posição antes da partida?
2. O assento e os apoios de braços estão abaixados?
3. O elevador está ligado? (interruptor de chave)
4. Possui parada de emergência foi ativado?
5. O cinto de segurança está fechado?

Em todos os outros casos, contacte o seu fornecedor.

PT

PREFÁCIO

A sua cadeira elevador Handicare 4000 é um produto sofisticado que foi desenvolvido especificamente para transportar uma pessoa (máx. 136 kg) sentada no assento (tipo para serviço pesado: máx. 160 kg). Antes de utilizar a cadeira elevador Handicare 4000 leia este manual na íntegra para se familiarizar com o funcionamento da cadeira elevador.

A cadeira elevador foi construída com a tecnologia mais avançada e de acordo com os regulamentos de segurança reconhecidos para que possa ter a certeza de que adquiriu uma solução segura e fiável.

No entanto, a utilização incorreta da cadeira elevador pode causar riscos para o utilizador ou terceiros, danos na cadeira ou noutros bens. Utilize a cadeira elevador apenas no seu estado de funcionamento correto, de acordo com a utilização prevista acima descrita e com a devida atenção a este manual. Guarde sempre este manual próximo da cadeira elevador.

INSTRUÇÕES DE SEGURANÇA

Ao utilizar a cadeira elevador, siga sempre os regulamentos de segurança adequados no que se refere ao risco de choque elétrico e lesões físicas.

1. Providencie um ambiente desobstruído, assegurando que todo o trajeto está livre de obstáculos.
2. Tenha em consideração as influências ambientais. Não exponha o elevador a humidade ou luz solar extrema. Certifique-se de que o ambiente está bem iluminado. Em caso de elevadores exteriores: coloque sempre a capa sobre o elevador quando o elevador não estiver a ser utilizado.
3. A cadeira elevador só deve ser utilizada por pessoas que tenham recebido orientações adequadas. Aquando da instalação, o fornecedor deve demonstrar como utilizar esta cadeira elevador e o utilizador deve assinar a declaração confirmando que essas instruções foram recebidas.
4. As cadeiras elevadores só devem ser utilizadas para transportar uma pessoa: não use a cadeira para transportar animais domésticos, mercadorias ou mais do que uma pessoa de uma vez, mesmo que a carga seja inferior ao peso máximo de utilizador. Mantenha as crianças e animais domésticos afastados da cadeira elevador.
5. Remova a chave após a utilização para evitar a utilização não autorizada.
6. Mantenha os braços, pernas e peças de roupa afastados de peças em movimento. Certifique-se de que peças de roupa largas ou soltas não ficam presas entre a cadeira e as escadas ou o carril.
7. Garanta uma posição segura durante a utilização. Garanta sempre uma posição correta e estável. Sente-se no assento o mais atrás possível e coloque os pés o mais próximo possível do centro da base para pés. Use sempre o cinto de segurança e nunca se ponha de pé na cadeira elevador.
8. Tenha sempre cuidado. Concentre-se no funcionamento da cadeira elevador pois se soltar a alavanca vai fazer com que o elevador pare. Para reiniciar o elevador, aguarde 3 segundos e empurre e segure a alavanca na direção da marcha desejada até chegar ao patamar ou corredor.
9. Verifique a existência de danos. Antes da utilização, verifique o elevador quanto à existência de danos externos. Informe o seu fornecedor sobre ruídos estranhos, como rangidos ou estalidos. Para evitar acidentes, as reparações e trabalhos de manutenção preventiva só devem ser realizados por técnicos devidamente qualificados.
10. A cadeira elevador não pode ser usada em caso de incêndio ou como meio de evacuação durante um incêndio.
11. Se a cadeira elevador não estiver equipada com um dispositivo de comunicação, recomendamos que tenha sempre um à mão.
12. Deixe apenas a cadeira elevador nos pontos designados na parte de cima ou debaixo do trilho.

Estrutura

A resistência e a adequabilidade em termos gerais de paredes, escadarias, terraços, pisos superiores, corrimões, rodapés, etc. que irão suportar ou circundar a instalação foram verificadas e asseguradas pelo cliente, o qual aceita assim todas as responsabilidades inerentes. Nem a Handicare, nem os seus revendedores autorizados poderão ser responsabilizados pela adequabilidade das estruturas que circundam e suportam a instalação.

MANUTENÇÃO

Limpeza

Limpe regularmente a cadeira elevador com um pano húmido; evite o uso excessivo de água. Certifique-se de que o trilho está livre de sujidade e pó. Com o tempo, as rodas do trajeto podem deixar uma marca no carril.

Manutenção preventiva

Além de limpar a sua cadeira elevador, é necessária manutenção preventiva periódica para a utilização contínua a longo prazo. A sua cadeira elevador deve ser submetida a manutenção pelo menos uma vez por ano por uma pessoa qualificada. Se a sua cadeira elevador tiver mais do que dois utilizadores, recomendamos um mínimo de duas manutenções por ano. Disponibilize uma tomada elétrica para iluminação local e eventualidades de inspeção e manutenção. Deve ser providenciada iluminação com um valor mínimo de 50 lux nos pontos de subida para a cadeira enquanto esta está a ser utilizada. A maioria das embalagens de lâmpadas indica o valor lux da lâmpada.

GARANTIA E RESPONSABILIDADE

Prazo de garantia – esta garantia é válida por um período de 24 meses a partir da data em que o produto foi enviado da nossa fábrica. O preço de compra do produto deve ser pago integralmente para que o fabricante liberte peças sob esta garantia.

Cobertura – esta garantia aplica-se ao reparo ou substituição, a critério do Fabricante, de peças que falhem devido a defeito de material ou mão de obra. O fabricante pode, a seu critério, fornecer peças recondicionadas de fábrica. Esta garantia é fornecida ao Revendedor Autorizado da Handicare em nome do comprador final do produto e não é transferível. A garantia do Fabricante não cobre encargos de trabalho para remoção, reparo ou substituição de peças em garantia.

Os danos causados por desgaste normal, sobrecarga ou utilização incorreta e a substituição das baterias no controlo remoto não estão abrangidos por esta garantia.

Recomendamos a manutenção anual da sua cadeira elevador por um técnico devidamente qualificado.

Em nenhuma circunstância o fabricante assumirá a responsabilidade por morte, ferimentos pessoais, danos materiais ou por consequências accidentais e imprevisíveis e/ou custos ou danos resultantes da utilização da sua cadeira elevador.

Não são permitidas modificações no produto e estas irão invalidar a garantia. O fabricante não se responsabiliza por danos resultantes de tais modificações.

O fabricante não assume qualquer responsabilidade por danos ou ferimentos causados pelo incumprimento ou cumprimento inadequado dos regulamentos de segurança e instruções deste manual, ou por negligência durante a instalação, utilização, manutenção e reparação desta cadeira elevador.

Os trabalhos de instalação e manutenção só devem ser realizados pelos revendedores ou instaladores/técnicos de manutenção autorizados pelo fabricante de acordo com os regulamentos locais.

Os controlos remotos montados na parede funcionam numa radiofrequência; a Handicare não poderá aceitar qualquer responsabilidade pela inoperabilidade do sistema na eventualidade improvável de interferências de sinais externos com esta cadeira elevador.

Este equipamento foi testado e considerado em conformidade com os limites para um dispositivo digital de Classe B, de acordo com a Parte 15 dos regulamentos FCC. Estes limites destinam-se a oferecer uma proteção razoável contra interferências prejudiciais numa instalação residencial. Este equipamento produz, consome e pode emitir energia de radiofrequência e, se não for instalado e utilizado de acordo com as instruções, pode causar interferências prejudiciais em radiocomunicações.

Contudo, não há garantias de que não ocorram interferências numa instalação em particular. Se este equipamento efetivamente causar interferências prejudiciais na receção de radiocomunicações ou televisiva, que podem ser determinadas desligando e voltando a ligar o equipamento, é aconselhado ao utilizador que tente corrigir as interferências através de uma ou mais das seguintes medidas:

- Reorientar ou recolocar a antena de receção.
- Aumentar a distância entre o aparelho e o recetor.
- Conectar o aparelho a uma tomada pertencente a um circuito elétrico diferente daquele a que está ligado o recetor.
- Solicitar a ajuda do revendedor ou de um técnico de rádio/TV experiente.

ESPECIFICAÇÕES TÉCNICAS

Tensão de alimentação	230 VAC	Velocidade	0.12 m/s (máx.)
Frequência	50/60 Hz	Temperatura ambiente	0 - 40°C
Corrente	1 A	Humidade relativa	20 - 80%
Potência 136 kg	360 watt	Utilização	16 trajetos por 24 horas (typ.)
Potência 160 kg	400 watt		10 trajetos por hora (máx.)
Fuses	30 A	Ruído	56 dB
Carga	(std.) 136 kg (300 lb)		
	(h.d.) 160 kg (352 lb)		

As informações fornecidas neste manual são baseadas em especificações gerais sobre a construção, propriedades do material e métodos de trabalho no momento da publicação.

A configuração da cadeira elevador Handicare, incluindo em particular (mas não se limitando a) as suas partes como o sistema de trilho, a construção da cadeira elevador, as peças de fixação, todas as peças giratórias e móveis, e o motor, dependem do know-how da Handicare. Os trabalhos nesta configuração ou numa ou mais partes só podem ser realizados por revendedores (e seus empregados) que tenham sido certificados pela Handicare para realizar tais trabalhos, de acordo com as instruções dadas pela Handicare. Apenas estes empregados receberem a formação necessária; só estes empregados qualificados podem fornecer o nível de segurança que as cadeiras elevadores Handicare têm quando fornecidas ex works. Os fornecedores de cadeiras elevadores Handicare usadas, exceto os revendedores certificados pela Handicare, não estão qualificados para realizar tais trabalhos, por exemplo, a instalação de um trilho para um utilizador que não seja um trilho original da Handicare.

Isto é importante, porque quando o trabalho é realizado em cadeiras elevadores Handicare ou em cadeiras elevadores Handicare usadas, são reinstaladas com peças não originais, por exemplo um trilho não original, por outras pessoas que não empregados qualificados e acima referidos, a garantia de Handicare e a marca CE da cadeira elevador em questão perdem imediatamente a sua validade.

Com a perda de validade da marca CE, a cadeira elevador em questão já não está em conformidade com as regulamentações europeias. Como resultado, a Handicare deixará de ser responsável por quaisquer consequências decorrentes da falha da cadeira elevador em questão. Além disso, a manutenção da cadeira elevador Handicare só pode ser efetuada utilizando peças sobressalentes originais que tenham sido aprovadas pela Handicare.

Isto é importante, porque a utilização de peças que não sejam peças originais aprovadas pela Handicare, como por exemplo um trilho diferente, caduca imediatamente a garantia Handicare e a marca CE da cadeira elevador em questão.

O manual holandês é a língua original.

DECLARAÇÃO DO ENGENHEIRO/ISTALADOR

Eu declaro/Nós declaramos que no dia inspecionei/inspecionámos este elevador e que o acima mencionado é um relatório correto dos resultados. Eu declaro/Nós declaramos que a cadeira elevador para escadas instalada é constituída por componentes aprovados e que a instalação foi executada em conformidade com as instruções no manual de instalação. Eu declaro/Nós declaramos que instruí/instruímos o utilizador sobre a utilização da mesma. O usuário é capaz de usar o elevador de maneira independente, sem instruções adicionais. O manual do usuário foi entregue ao usuário.

Nome do instalador:	Nome do instalador:
Qualificações:	Qualificações:
Data da assinatura:	Data da assinatura:
Assinatura:	Assinatura:
Endereço:	Quando instalada por uma empresa/associação> nome/endereço:

DECLARAÇÃO DO UTILIZADOR INSTRUÍDO

O utilizador confirma por este meio que foi instruído pelo engenheiro/ instalador(es) acima indicado sobre as práticas de utilização da cadeira e dispõe dos conhecimentos necessários para operar a mesma .

Nome:	Endereço:
Cidade:	Número de telefone:
Data da assinatura:	Assinatura:

PT

DECLARAÇÃO CE DE CONFORMIDADE

Nós, Handicare Newtonstraat 35, 1704 SB Heerhugowaard, declaramos que o Handicare 4000 está em conformidade com as disposições da Diretiva de Máquinas 2006/42/EC, Diretiva de Baixa Tensão 2014/35/EU e Diretiva EMC 2014/30/EU.

A cadeira elevatória foi projetada e fabricada de acordo com as seguintes normas:
EN 81-40, ISO 9386-2, EN ISO 12100-1, EN ISO 12100-2, EN ISO 14121, EN60204-1 (incluindo os padrões EMC).

Heerhugowaard, Holanda, 15 de abril de 2023.


P. Slack, vice-presidente, Handicare Ano de construção: 2023 Data de entrada em serviço:

A declaração de conformidade é legal após a lista de verificação da instalação e a pessoa instruída com a declaração forem certificadas pelo engenheiro e pelo utilizador. A lista de verificação de instalação e a informação da pessoa instruída com a declaração serão guardadas pelo revendedor e disponibilizadas à Handicare mediante solicitação.

- 1 向下折叠
确保开/关按钮设置在“开”的位置。开启时，故障诊断显示器将会亮起。
向下折叠踏板、扶手和座椅。
选配电动脚凳 > 14
- 2 放脚
将脚放在踏板上。确保两只脚完全在踏板上。
- 3 安全第一
牢牢系好安全带，确保它卡入带夹中。将钥匙插入开关，顺时针转动九十度。检查以确保座椅处于锁定位置。
- 4 乘坐
向所需行进方向移动并压住操纵杆。故障诊断显示器显示“8/9”，1秒钟后缓慢启动。更改行进方向时，延迟时间为3秒。
- 5 停止按钮
紧急情况下，请按“紧急停止”按钮一次。停止按钮将会亮起。电梯会立即停止。再次按下停止按钮可将其释放。
- 6 旋转
电梯在导轨末端自动停止。您现在应该可以手动旋转座椅，方便上下。为此，请按下旋转杆 {A}。旋转座椅直到听到“咔哒声”。座椅现在处于正确的位置 {B}。
选配自动旋转座椅 > 13
- 7 松开安全带
解开安全带。
- 8 起身
从座椅上站起来。
- 9 向上折起
向上折起扶手、踏板和座椅 {A}。将位于座椅左侧或右侧的手柄向下推 {B}。旋转座椅直到听到“咔哒声”。座椅现在处于锁定位置。
- 10 驻停
按住遥控器上的向上或向下按钮，直到电梯到达充电点为止。到达后，电梯会自动停止。
- 11 充电
导轨顶部和底部可以电梯电池充电的充电点（可能还有其他充电点）。如果电梯不在充电点的正确位置，电梯会发出15秒钟的哔哔声，故障诊断显示器显示“2”。如果电池没电，电梯会停止工作。
- 12 清洁
定期使用湿布清洁座椅电梯，避免使用过多的水。切勿使用酸性清洁剂。确保轨道无脏污和灰尘。使用时间长了，轨道轮可能会在轨道上留下印记。

选项
- 13 自动旋转
自动旋转座椅选件会自动帮助您旋转座椅，朝向将要步行的

方向。只需向行进方向推动并压住操纵杆即可。

- 14** 电动脚凳
如要操作电动脚凳，请按扶手。折叠脚凳时座椅电梯应发出哔哔声。
行进期间请始终确保踏板位于下部位置。

- 15** 铰链导轨
使用折叠铰链导轨选件后，座椅可以正好在铰链导轨上停下。向上或向下移动操纵杆可以折叠或展开导轨。

- 16** 铰链导轨[充电]
使用后，请勿将电梯停在铰链导轨上。使用遥控器将电梯移动到充电点处，为电池充电。第一个停靠点是充电点。

- 17** 铰链应急操作
如果座椅电梯在使用时铰链系统发生故障，请返回楼上楼梯平台处，然后呼叫寻求帮助。请勿尝试在行进期间下电梯，必须在楼上或楼下平台处下电梯。
紧急状况下手动折叠铰链的方法：请按释放按钮，并同时移动主臂。
提示：正常运行期间，主臂的负载会导致出现小齿轮按钮，容易影响移动。在按释放按钮的同时移动主臂，会减少对小齿轮的压力，让移动更轻松。

- 18** 開/關（選擇）
如果建築物內斷電，請關閉電梯電源以避免電池耗盡

出現故障時檢查這些點：

1. 出發前座位位置是否正確？
 2. 座椅和扶手是否放下？
 3. 電梯開了嗎？
（鑰匙開關）
 4. 是否啟動了急停？
 5. 安全帶係好了嗎？
- 在所有其他情況下，請聯繫您的供應商。

CN

前言

Handicare 4000 座椅电梯工艺复杂，只可搭载一人（最大 136 千克/18.1 英石/253 磅）坐在座椅上（特重型：最大承重 160 千克/21.5 英石/301 磅）。在使用 Handicare 4000 座椅电梯前，请仔细阅读本手册，熟悉如何操作座椅电梯。座椅电梯采用最前沿技术，严格遵照经认可的安全规章，让您确保您所拥有的解决方案安全且可靠。但是，若使用不当，则可能造成使用者或第三方受伤，或者导致座椅电梯或其他物品损坏。使用座椅电梯前，请务必确保其处于良好工作状态，预期用途如上所述，同时仔细阅读本手册。务必将本手册置于座椅电梯附近。

安全指示

1. 使用座椅电梯时，确保遵守相应的有关避免电击和人身伤害危险的安全法规。
2. 确保整个轨道无障碍物，打造物通无阻的环境。
3. 将环境影响考虑在内。切勿将座椅电梯置于潮湿环境或强烈日照环境中。确保环境光照条件良好。对于室外电梯：不使用电梯时，请务必用防护罩盖住电梯。
4. 座椅电梯只可由接受过合适指导的人士使用。安装时，应要求供应商演示如何使用本座椅电梯，且使用者需签订声明，确认已接受过此指导。
5. 座椅电梯只能承载一人：请勿将座椅电梯用于承载宠物、货物或一次承载多人，即使负载低于最大使用者重量时也不行。不要让儿童和宠物靠近座椅电梯。
6. 使用后请拔出钥匙，防止未经许可可使用。
7. 避免四肢和衣物靠近移动部件。确保宽大或宽松的衣物不会缠结在座椅和楼梯或导轨之间。
8. 使用时确保坐在安全位置。确保位置恰当、稳定。在座椅上请尽量往后坐，将双脚尽量放在踏板的中部位置。请始终使用安全带，切勿站在座椅电梯上。
9. 始终保持谨慎小心的态度。集中精力操作座椅电梯，因为释放操作开关会导致电梯停止。如要重新启动电梯，请等待 3 秒，然后向所需行进方向推动并按住开关，直至到达楼梯平台或门厅。
10. 检查座椅电梯是否损坏。使用前，请检查座椅电梯的外部是否有损坏。若发现异响，比如吱吱声和嘎吱嘎吱声，请立即向供应商报告。为避免出现意外，仅可由符合资格的工程师执行修理和预防性维护工作。
11. 万一出现火灾时，不得使用本座椅电梯，也不得将其作为火灾逃生工具。
12. 如果座椅电梯未配备通讯设备，建议您随身携带一个。
13. 只能将座椅电梯放在导轨顶部和底部的指定地点。

结构

一般而言，用于支撑或包围本装置的墙壁、楼梯、露台、上层楼面、扶栏、基座的强度和适用性已由用户核实和确保，由此产生的相关责任由用户自行承担。对于包围和支撑本装置的结构适用性，Handicare 及其授权的经销商概不负责。

维护

清洁

定期使用湿布清洁座椅电梯，避免使用过多的水。确保轨道无脏污和灰尘。使用时间长了，轨道轮可能会在轨道上留下印记。

预防性维护

除清洁座椅电梯外，还需定期执行预防性维护，确保座椅电梯可继续长期正常运行。每年至少由合格人员对座椅电梯进行一次维修。如果您的座椅电梯使用者超过两位，则建议每年至少进行两次维修。请准备好电源插座，以防在检查和维修期间需要局部照明。在座椅电梯的使用期间，停靠点应至少提供 50 勒克斯的照明。大部分灯泡包装上均会详细列出该灯泡的勒克斯值。

保修和责任

保修期—产品自售出日起享有 24 个月保修期。须全额支付产品的购买价格，制造商才会按照此保修条款提供零部件。保修范围—本保修适用于制造商修理或更换（由制造商酌情决定）因产品材料或工艺缺陷而失效的零部件。制造商可以选择提供工厂的修整零部件。此保修条款适用于代表产品最终购买者的 Handicare 授权经销商，不可转让。制造商的保修服务不包括拆卸、修理或更换保修零部件的人工费用。正常磨损、过载或使用不当引起的损坏、远程控制装置的电池更换等不在保修范围之列。建议每年由适合的合格座椅电梯工程师对您的座椅电梯维修一次。无论在何种情况下，对于因使用座椅电梯引起的伤亡、财产损失、或意外、未预见的后果和/或费用或损坏，制造商概不负责。不允许对产品进行改装，否则保修将失效。对于因产品变动而引起的损坏，制造商概不负责。对于因未遵循或未充分遵循安全法规和手册所述的安全指示、或在座椅电梯安装、使用、维护和修理过程中疏忽大意而引起的损坏或人员伤亡，制造商概不负责。安装和维修应依照当地法规由经制造商授权的经销商或安装员/维修工程师进行。壁挂式遥控器以射频运转；对于座椅电梯因外部信号受到干扰的不可能事件而出现的系统故障，Handicare 概不负责。

本设备已依据《联邦通信委员会（FCC）准则》第 15 部分进行测试，并被证实符合 B 类数字设备的限制要求。此类限制设计在住宅安装过程中提供合理的免受有害干扰的防护。本设备可产生、使用和散发射频能量，因此若不依据本指南进行安装和使用，则可对无线电信造成有害干扰。但是，不确保某种特定装置内不会出现这种干扰。如果本设备确实对无线电接收或电视接收造成有害干扰（可通过“关闭”和“开启”设备予以确定），建议用户尝试以下一种或多种措施校正干扰：

- 重新定向或重新定位接收天线。
- 扩大设备和接收器间的距离。
- 将设备和接收器分别连接至两个不同的电源插座。
- 咨询经销商或富有经验的无线电/电视技术人员，向其寻求帮助。

CN

技术规格

电源电压	230 伏交流电	速度	0.12 米/秒（最大值）
频率	50/60 赫兹	环境温度	0 - 40 摄氏度
电流	1 安	相对湿度	20 - 80%
功率 136 kg	360 瓦	使用	每 24 小时乘坐 16 次
功率 160 kg	400 瓦		不间断乘坐 10 次
保险丝	30 安	噪音	56 分贝
负载（最大值）	136 千克		

本手册中提供的信息基於出版時有關結構、材料特性和工作方法的一般規範。

Handicare 座椅电梯，尤其包含（但不限于）其部件，诸如轨道系统、座椅电梯结构、固定部件、所有摆动和可移动部件以及电机等的配置，均基于 Handicare 的专有技术。对于此配置或一个或多个其部件的干预工作仅可由经销商（及其员工）等经 Handicare 认证的人员依照 Handicare 所提供的相关作业说明进行。仅有此类员工已接受必要的培训；仅有这些合资质的员工可提供 Handicare 座椅电梯出厂时所具备的安全性。除了已由 Handicare 认证的经销商之外的二手 Handicare 座椅天梯供应商没有资质执行此类作业，例如安装非 Handicare 原厂的轨道。

这一点非常重要，因为当由上述合资质人员之外的任何人对 Handicare 座椅电梯或进行施工或使用非原装部件（例如轨道）重新安装二手 Handicare 座椅电梯时，均将导致 Handicare 针对所涉座椅电梯提供的质保以及 CE 标识立刻失效。

CE 标识失效后，即代表所涉座椅电梯不再符合欧盟法规。继而，Handicare 将不再对因所涉座椅电梯故障导致的任何后果承担任何责任。此外，对 Handicare 座椅电梯的维护仅可使用经 Handicare 认证的原厂备件。

这一点非常重要，因为如果使用了经 Handicare 认证的原厂部件之外的部件，例如轨道，均将导致 Handicare 针对所涉座椅电梯提供的质保以及 CE 标识立刻失效。

荷兰语为本手册的源语言。

声明工程师

我/我们在此证明，于.....，我/我们全面检查了该套座椅电梯，根据检查结果出具了合格报告。我/我们在此声明，所安装的座椅电梯配备的均为经过认证许可的部件，且安装过程符合安装手册中的说明要求。我/我们在此声明，我/我们已经通过告知用户所有相关使用方式的方式，向用户提供了指导。用户可独立安全地使用电梯而无需进一步指导。用户手册已移交给用户。

工程师姓名：	工程师姓名：
资格：	资格：
签字日期：	签字日期：
签字：	签字：
地址：	如为某公司/组织雇员，则填写名称与地址：

受指导人声明

座椅电梯用户在此确认，上文所述工程师已经指导所有的用户进行了使用练习，且用户作为受指导人已经知晓座椅电梯的全部操作方法。


姓名：.....	地址：.....
城市：.....	电话：.....
签字日期：.....	签字：.....

EC DECLARATION OF CONFORMITY

We, Handicare Newtonstraat 35, 1704 SB Heerhugowaard declare that the Handicare 4000 is in conformity with the provisions of the Machinery Directive 2006/42/EC, Low Voltage Directive 2014/35/EU and EMC Directive 2014/30/EU.

The stairlift has been designed and manufactured in accordance with the following standards:
EN 81-40, ISO 9386-2, EN ISO 12100-1, EN ISO 12100-2, EN ISO 14121, EN60204-1 (including the EMC standards).

Heerhugowaard, The Netherlands, 15 april 2023.


P. Slack, Vice President, Operations, Handicare Year of build: 2023 Date put into service:

合规声明在完成安装检查清单以及声明所指导人员名单已由工程师和用户签字后即在法律上生效。安装检查清单以及声明所指导人员名单应由经销商保存，并在 Handicare 要求时予以提供。

CN

1

Açın

Açma/kapama anahtarının 'AÇIK' konumuna ayarlandığından emin olun. Açıldığında teşhis ekranı ışığı yanacaktır. Ayaklığı, kolçakları ve koltuğu açın.

(OPSİYONEL: İSTEĞE BAĞLI ELEKTRİKLİ AYAK DESTEĞİ > 14)

2

Ayakları yerleştirin

Ayaklarınızı ayaklığa yerleştirin. İki ayağınızın da tamamen ayaklıkta olduğundan emin olun.

3

Önce güvenlik

Emniyet kemerini güvenli şekilde bağlayın ve çıt sesi çıkararak yerine oturduğundan emin olun. Anahtarı yerine sokun ve saat yönünde doksan derece çevirin. Sandalyenin kilitli konumda olduğundan emin olun.

4

Hareket

Kumanda kolunu istediğiniz yöne doğru hareket ettirin ve o şekilde tutun. Ekran "8/9" ifadesini gösterecek ve asansör 1 saniye sonra yavaşça hareket edecektir. Gideceğiniz yönü değiştirirken 3 saniye gecikme olacaktır.

5

Durdurma düğmesi

Acil bir durumda, durdurma düğmesine bir kez basın. Durdurma düğmesinin ışığı yanar. Asansör anında durur. Durdurma düğmesi, durdurma düğmesine basarak kapatılabilir.

6

Döndür

Asansör rayın sonunda otomatik olarak durur. Şimdi koltuğu elle döndürebilir ve oturma ve kalkmayı kolaylaştırabilirsiniz. Bunu yapmak için kolu {A} indirin. 'Çıt' sesini duya-

na kadar koltuğu döndürün. Koltuk şu anda doğru pozisyonudadır {B}. (OPSİYONEL: İSTEĞE BAĞLI OTOMATİK DÖNEN KOLTUK > 13)

7

Kemeri gevşetin

Emniyet kemerini çözün.

8

Ayağa kalk

Koltuktan kalkın.

9

Sarmak

Kolçakları ve koltuğu yukarı katlayın {A}. Koltuğun sol ya da sağ alt tarafında bulunan kolu aşağı itin {B}. 'Çıt' sesini duyana kadar koltuğu döndürün. Koltuk şu anda kilitli pozisyonudadır.

10

Park etme

Asansör bir durma noktasına ulaşana dek uzaktan kumandadaki yukarı ya da aşağı düğmesine basılı tutun. Ulaştığınızda, asansör otomatik olarak durur.

11

Şarj etme

Rayın üst ve alt kısmında asansörün pillerini şarj etmek için şarj noktaları vardır (ek şarj noktaları olabilir). Asansör şarj noktasında doğru pozisyonda değilse, asansör 15 saniye boyunca bip sesi çıkarır ve ekranda "2" görünür. Piller bittiyse asansör çalışmaz.

12

Temizlik

Merdiven asansörünü düzenli olarak nemli bir bezle temizleyin; aşırı su kullanımından kaçının. Hiçbir zaman asitli bir temizleyici kullanmayın. Yolun kir ve tozdan arındırıldığından emin olun. Zaman içerisinde yol tekerlekleri ray üzerinde bir iz bırakabilir.

SEÇENEKLER

13

Elektrikli dönen koltuk

ELEKTRİKLİ DÖNEN KOLTUK

seçeneği yürüyeceğiniz tarafa dönebilmeniz için koltuğu otomatik olarak döndürmenizi sağlar. Bunu yapmak için, kumanda kolunu gidilecek yöne doğru hareket ettirin ve o şekilde tutun.

14

Elektrikli ayak desteği

ELEKTRİKLİ AYAK DESTEĞİ-

Nİ ELEKTRİKLİ AYAK DESTEĞİNİ

çalıştırmak için kolçağın. Ayak desteği katlanırken merdiven asansörü bip sesi çıkarmalıdır. Sürüş sırasında daima ayaklığın aşağı konumda olduğundan emin olun.

15

Menteşeli ray

KATLANAN MENTEŞE seçeneğiyle,

koltuk menteşeli rayın hemen üstünde durur. Rayı katlayıp açmak için kumanda kolunu hareket ettirin.

16

Menteşeli ray (şarjda)

Asansörü kullandıktan sonra menteşeli rayda bırakmayın. Asansörü bir şarj noktasına götürmek ve pilleri şarj etmek için uzaktan kumandayı kullanın. İlk durma noktası şarj noktasıdır.

17

Menteşe acil durum işlemi

Merdiven asansörünü kullanırken menteşe sistemi bozulursa, lütfen üst kata çıkın ve yardım isteyin. Ortalardayken inmeye çalışmayın, sadece üst ya da alt kattayken inin. Acil durumda menteşeyi manuel olarak katlamak için: serbest bırakma düğmesine ve ana kola aynı anda basın. İpucu: Normal operasyon esnasında ana kola yük binmesi, dişli düğmenin harekete direnç gösteriyor gibi görünmesine

sebeplendir. Serbest bırakma düğmesine basarken ana kolun hareket ettirilmesi dişli üzerindeki basıncı azaltır ve hareketi kolaylaştırır.

18

Açma / kapama (seçenek)

Binada elektrik kesintisi durumunda, akü drenajını önlemek için asansörden gücü kapatın.

Bir arıza durumunda şu noktaları kontrol edin:

1. Kalkıştan önce koltuk doğru konumda mı?
2. Koltuk ve kolçaklar aşağıda mı?
3. Asansör açık mı? (anahtar anahtarı)
4. Acil durdurma etkinleştirildi mi?
5. Emniyet kemeri kapalı mı?

Diğer tüm durumlarda tedarikçinizle iletişime geçin.

TR

ÖN SÖZ

Handicare 4000 merdiven asansörünüz, koltukta oturan bir kişiyi (maks. 136 kg) taşımak için özel olarak geliştirilmiş sofistike bir üründür (ağır yük tipi: maks. 160 kg). Handicare 4000 merdiven asansörünüzü kullanmadan önce, merdiven asansörünüzü nasıl çalıştıracağınızı öğrenmek için lütfen bu kılavuzu baştan sona okuyun.

Merdiven asansörünüz son teknoloji ve kabul görmüş güvenlik yönetmeliklerine uygun olarak imal edilmiştir, bu yüzden güvenli ve emniyetli bir çözüme sahip olduğunuzdan emin olabilirsiniz.

Bununla birlikte, merdiven asansörünüzün yanlış kullanımını, kullanıcı veya üçüncü şahıslar için risk oluşturabilir, merdiven asansörünüzde veya diğer eşyalarda hasara neden olabilir. Merdiven asansörünüzü iyi durumdayken, yukarıda tanımlanan kullanım amacına uygun şekilde ve bu kılavuzda belirtilenlere dikkat ederek kullanın. Bu kılavuzu her zaman merdiven asansörünüz yanından bulundurun.

GÜVENLİK TALİMATLARI

Merdiven asansörünüz kullanırken, elektrik çarpması ve fiziksel yaralanma riskiyle ilgili olarak her zaman uygun güvenlik düzenlemelerine başvurun.

1. Tüm yolların engellerden arındırılmasını sağlayarak engelsiz bir ortam sağlayın.
2. Çevresel etkileri hesaba katın. Asansörü nemli ve aşın güneş alan yerlere kurmayın. Ortamını iyi aydınlatıldığından emin olun. Dışarıda kalma durumunda: asansör kullanımında değilken her zaman kapağı asansörün üzerine koyun.
3. Merdiven asansörü yalnızca uygun rehberlik almış kişiler tarafından kullanılmalıdır. Kurulum sırasında tedarikçinin bu merdiven asansörünün nasıl kullanılacağını göstermesi ve kullanıcının bu talimatın alındığına dair beyanı imzalaması gerekir.
4. Merdiven asansörleri yalnızca bir kişi taşımak için kullanılmalıdır: merdiven asansörünüzü evcil hayvan, eşya veya birden fazla kişiyi taşımak için, yük maksimum kullanıcı ağırlığının altında olsa bile kullanmayın. Çocukları ve evcil hayvanları merdiven asansörden uzak tutun.
5. Yetkisiz kullanımı önlemek için kullanımdan sonra anahtarı çıkarın.
6. Vücut uzuvlarını ve giysileri hareketli parçalardan uzak tutun. Büyük ve bol giysilerin sandalye ve merdivenler yahut raylar arasında sıkışmamasına emin olun.
7. Her zaman doğru ve sabit bir konum sağlayın. Lütfen olabildiğince geride oturun ve ayaklarınızı mümkün olduğunca ayaklığın merkezine yakın yerleştirin. Her zaman emniyet kemerini kullanın ve asla merdiven asansörü üzerinde ayağa kalkmayın.
8. Her zaman dikkatli olun. Çalıştırma düğmesinin serbest bırakılması asansörün durmasına neden olacağı için merdiven asansörünün çalışmasına dikkat edin. Asansörü yeniden başlatmak için 3 saniye bekleyin ve iniş veya koridora ulaşınca kadar düğmeyi istenen hareket yönünde basılı tutun.
9. Hasarları kontrol edin. Kullanmadan önce asansörün dış hasarı olup olmadığını kontrol edin. Gıcırtı ve tıkırtılar gibi olağan dışı sesleri tedarikçinize bildirin. Kazaları önlemek için tamirler ve önleyici bakım sadece yetkin mühendisler tarafından gerçekleştirilmelidir.
10. Merdiven asansörü bir yangın sırasında veya yangından kaçma amacıyla kullanılmamalıdır.
11. Merdiven asansörü bir iletişim cihazı ile donatılmamışsa, her zaman yanınızda bir tane bulundurunuz tavsiye ederiz.
12. Merdiven asansörünü yalnızca rayın üstünde ve altında belirlenen noktalarda bırakın.

YAPI

Kurulumu destekleyen veya çevreleyen duvar, merdivenler, teraslar, üst katlar, trabzanlar, süpürgelikler vb.'nin genel gücü ve uygunluğu, ilgili tüm sorumlulukları kabul eden müşteri tarafından doğrulanmış ve sağlanmıştır. Ne Handicare ne de yetkili bayiler, kurulumu çevreleyen ve destekleyen yapıların uygunluğundan sorumlu tutulabilir.

BAKIM

Temizlik

Merdiven asansörünüzü düzenli olarak nemli bir bezle temizleyin; aşın su kullanımından kaçının. Yolun kir ve tozdan arındırıldığından emin olun. Zaman içerisinde yol tekerlekleri ray üzerinde bir iz bırakabilir.

ÖNLEYİCİ BAKIM

Merdiven asansörünüzün temizlenmesinin yanı sıra uzun vadeli işleyiş için düzenli olarak önleyici bakım da gereklidir.

Merdiven asansörünüzün yılda en az bir kere yetkili bir kişi tarafından bakımı yapılmalıdır. Merdiven asansörünüzün ikiden fazla kullanıcısı varsa, yılda en az iki servis öneririz.

Lütfen inceleme ve servis sırasında gerekirse bölgeyi aydınlatma sağlamak için bir elektrik prizi bulundurun. Merdiven asansörü kullanımdayken, biniş noktalarında en az 50 luks olan ışıklanırma sağlanmalıdır. Çoğu ampul kutusu, ampulün luks değerini detaylandıracaktır.

GARANTİ VE SORUMLULUK

Garanti süresi: Bu garanti, ürünün fabrikamızdan sevk edildiği tarihten itibaren 24 ay süreyle geçerlidir. Bu garanti kapsamındaki parçaların gönderilmesi için ürünün satış fiyatı eksiksiz şekilde imalatçıya ödenmelidir.

Kapsam: Bu garanti, İmalatçının tercihine bağlı olarak kusurlu materyal veya işçilik sebebiyle bozulan parçaların tamir edilmesi veya değiştirilmesi için geçerlidir. İmalatçı, kendi tercihine bağlı olarak fabrikada düzeltilmiş parçalar sağlayabilir. Bu garanti, ürünün nihai alıcısı adına Yetkili Handicare Bayisine sunulur ve devredilebilir değildir. İmalatçının garantisi, garanti parçalarının çıkarılması, tamir edilmesi veya değiştirilmesi için gereken işçilik masraflarını kapsamaz.

Normal aşınma ve yıpranma, aşırı yüklemeye veya yanlış kullanımdan kaynaklanan hasar ve uzaktan kumandadaki pillerin değiştirilmesi bu garanti kapsamında değildir.

Merdiven asansörünüz için her yıl uygun niteliklere sahip bir merdiven asansörü mühendisi tarafından bakım yapılmasını tavsiye ederiz.

İmalatçı, merdiven asansörünüzün kullanımından kaynaklanan ölüm, kişisel yaralanma, mülk hasarı veya tesadüfi, öngörülemeyen sonuçlar ve/veya maliyetler veya hasarlar için hiçbir koşulda sorumluluk kabul etmez.

Ürün üzerinde değişiklik yapılmasına izin verilmez ve bu, garantiyi geçersiz kılar. İmalatçı, bu tür değişiklikler sonucunda ortaya çıkan hasarlardan sorumlu değildir.

İmalatçı, bu kılavuzda yer alan güvenlik düzenlemeleri ve talimatlarının dikkate alınmaması veya yanlış şekilde dikkate alınması yahut bu merdiven asansörünün kurulumu, kullanımı, bakımı veya tamiri esnasında ihmalkârlık yapılmasından kaynaklanan hasarlar veya yaralanmalara dair sorumluluk kabul etmez.

Kurulum ve servis işlemleri yalnızca yerel düzenlemelere uygun olarak imalatçı tarafından yetkilendirilmiş bayiler veya montajcılar/servis mühendisleri tarafından yapılmalıdır.

Duvara monte uzaktan kumandalar bir radyo frekansı ile çalışır; Handicare, bu merdiven asansörünün dışındaki sinyallerden kaynaklanan beklenmedik parazit durumunda sistemden çalışmamasından sorumlu değildir.

Bu ekipman test edilmiş ve FCC Kurallarının 15. bölümü uyarınca B Sınıfı dijital cihaz sınırlarına uygun bulunmuştur.

Bu sınırlar, konut içi kurulumdaki zararı müdahalelere karşı makul bir koruma sağlamak amacıyla tasarlanmıştır.

Bu ekipman radyo frekansı enerjisi yaratır, kullanır ve yayabilir ve talimatlara uygun şekilde kurulum kullanılmadığı takdirde radyo iletişimine olumsuz etkide bulunabilir.

Ancak, bu müdahalenin belirli bir kurulumda olup olmayacağına dair bir garanti yoktur. Bu ekipman, ekipmanı kapatıp açarak görüleceği üzere radyo veya televizyon alıcısına zararlı bir etkide bulunmazsa, kullanıcının aşağıdaki önlemlerden bir veya birkaçını uygulayarak müdahaleyi düzeltmeye çalışması önerilir.

- Alıcı antene yeniden yön verin veya konumunu değiştirin.
- Ekipman ve alıcı arasındaki aralığı artırın.
- Ekipman, alıcının bağlı olduğundan farklı bir devredeki prize takın.
- Yardım için bayinize veya deneyimli bir radyo/TV teknisyenine danışın.

TEKNİK ÖZELLİKLER

Besleme voltajı	230 VAC	Hız	0.12 m/s (maks.)
Frekans	50/60 Hz	Ortam sıcaklığı	0 - 40°C
Akım	1 A	Bağlı nem	20 - 80%
Enerji 136 kg	360 watt	Kullanım	24 saatte 16 kullanım (typ.)
Enerji 160 kg	400 watt		10 trajetos por hora (maks.)
Sigortalar	30 A	Ses	56 dB
Yük	(std.) 136 kg (300 lb)		
	(h.d.) 160 kg (352 lb)		

Bu kılavuzda verilen bilgiler, yayın tarihinde yapı, malzeme özellikleri ve çalışma yöntemleri ile ilgili genel spesifikasyonlara dayanmaktadır.

Handicare merdiven asansörünün yapılandırılması; ray sistemi, merdiven asansörünün yapısı, sabitleme parçaları, dönen ve hareketli tüm parçalar ve motor gibi parçaları da dâhil olmak (ve bunlarla sınırlı olmamak) üzere Handicare'in know-how'ı kapsamındadır. Bu kurulum veya parçaların biri ya da daha fazlası üzerindeki çalışmalar, sadece Handicare tarafından sunulan talimatlara uygun olarak bu işi yapmaları konusunda Handicare tarafından yetkilendirilen bayiler (ve bunların çalışanları) tarafından gerçekleştirilmelidir. Yalnızca bu çalışanlar gerekli eğitimi almıştır ve yalnızca bu yetkili çalışanlar Handicare merdiven asansörlerinin teslimi sırasında sahip olduğu güvenlik seviyesini sunabilirler. Handicare'in yetki verdiği bayiler dışındaki kullanılmış Handicare merdiven asansörü tedarikçileri, bir kullanıcı için orijinal Handicare rayı dışındaki bir rayı yerleştirmek gibi birtakım çalışmaları yapma yetkisine sahip değildirler.

Bu önemlidir, çünkü yukarıda bahsedilen yetkili çalışanlar dışında biri tarafından bir Handicare merdiven asansörü üzerinde çalışma yapıldığında ya da kullanılmış bir Handicare merdiven asansörü, farklı bir ray gibi başka parçalarla yeniden kurulduğunda, ilgili merdiven asansörünün Handicare garantisi ve CE işareti derhâl geçersiz hâle gelir.

CE işaretinin geçersiz hâle gelmesi, ilgili merdiven asansörünün artık Avrupa yönetmeliklerine uygun olmadığı anlamına gelir. Bunun sonucunda Handicare, ilgili merdiven asansörünün çalışmamasından kaynaklanan hiçbir durumdan sorumlu veya yükümlü tutulamaz. Dahası, Handicare merdiven asansörünün bakımı sadece Handicare onaylı orijinal yedek parçalar kullanılarak yapılmalıdır.

Bu önemlidir, çünkü Handicare onaylı orijinal yedek parçalar haricindeki parçaların, örneğin farklı bir rayın kullanılması durumunda ilgili merdiven asansörünün Handicare garantisi ve CE işareti derhâl geçersiz hâle gelir.

Kılavuzun orijinal dili Hollandacadır.

MÜHENDİS BEYANI

..... tarihinde bu asansörü kapsamlı şekilde incelediğimi/incelemediğimizi ve yukarıdaki bilgilerin, sonucun doğru bir raporu olduğunu onaylıyorum/onaylıyoruz. Kurulan merdiven asansörün onaylanan bileşenlerle bir arada olduğunu ve kullanma kılavuzundaki talimatlar doğrultusunda kurulduğuna beyan ederim/ederiz. Tüm kullanıcı uygulamalarını anlatmak suretiyle talimatları kullanıcıya aktardığımı/aktardığımızı beyan ederim/ederiz. Kullanıcı, bağımsız olarak, daha fazla talimat olmaksızın asansörü güvenli bir şekilde kullanabilir. Kullanım kılavuzu kullanıcıya teslim edilmiştir.

Mühendis Adı:	Mühendis Adı:
Nitelikler:	Nitelikler:
İmzalamaya Tarihi:	İmzalamaya Tarihi:
İmza:	İmza:
Adres:	Bir şirkete/kuruluşa bağlı çalışıyorsanız>isim/adres:

EĞİTİCİ KİŞİ BEYANI

Bu şekilde, merdiven asansörün kullanıcıya, yukarıda bahsedilen mühendisin/mühendislerin tüm uygulamalarını açıkladığını ve bu kişinin eğitici kişi olarak tüm operasyonu bildiğini onaylarlar.


İsim:	Adres:
Şehir:	Telefon numarası:.....
İmzalamaya tarihi:.....	İmza:

EC DECLARATION OF CONFORMITY

We, Handicare Newtonstraat 35, 1704 SB Heerhugowaard declare that the Handicare 4000 is in conformity with the provisions of the Machinery Directive 2006/42/EC, Low Voltage Directive 2014/35/EU and EMC Directive 2014/30/EU.

The stairlift has been designed and manufactured in accordance with the following standards:
EN 81-40, ISO 9386-2, EN ISO 12100-1, EN ISO 12100-2, EN ISO 14121, EN60204-1 (including the EMC standards).

Heerhugowaard, The Netherlands, 15 april 2023.


P. Slack, Başkan Vekili, Handicare Year of build: 2023 Date put into service:

Uygunluk beyanı, kurulum kontrol listesi ve beyanda belirtilmiş kişi mühendis ve kullanıcı tarafından onaylandığında yasal olarak geçerli olur. Kurulum kontrol listesi ve beyanda belirtilmiş kişi bayi tarafından kaydedilmeli ve istenmesi durumunda Handicare'e sunulmalıdır.

TR

1 بسط
تأكد من ضبط مفتاح التشغيل/ إيقاف التشغيل على وضع
وبذلك ستضيء شاشة التشخيص عند التشغيل
«لتشغيل» (ON)
أنزل منصة القدم ومسندَي الزراعين والمقعد لأسفل
الصفحة رقم 14 < مسند قدم اختياري آلي

2 موضع
ضع قدميك على منصة القدم، تأكد من
وضع كلتا القدمين على المنصة جيداً

3 السلامة
اربط حزام المقعد بإحكام، وتأكد من
سماع صوت ضغطها في الماسك. ضع
المفتاح في مفتاح التشغيل ثم أدره مقدار
تسعين درجة في اتجاه عقارب الساعة.
تأكد من أن الكرسى في وضع القفل

4 الركوب أولاً
حرك عصا التحكم مع الإمساك بها في
اتجاه التحرك المرغوب. تُظهر الشاشة
«9/8»، ثم يبدأ المصعد التحرك ببطء
بعد مرور ثانية واحدة. عند تغيير اتجاه
التحرك، يبلغ زمن التأخير 3 ثوانٍ

5 زر التوقف المقعد
في حالة الطوارئ، اضغط على زر
التوقف مرة واحدة. وبالتالي يضيء زر
التوقف، ويتوقف المصعد في الحال
يمكن تحرير زر التوقف عن طريق
الضغط عليه.

6 الدوران المقعد
يتوقف المصعد تلقائياً عند نهاية القضيب
الآلي. يجب عليك الآن تدوير المقعد
يدوياً، مما يجعل من السهل الجلوس عليه
والنزول منه. للقيام بذلك، ادفع الرافعة {أ}
لأسفل، ثم أدّر المقعد حتى تسمع صوت
«طق». الآن المقعد في الموضع الصحيح
{ب}

الصفحة رقم 13 < دوران تلقائي اختياري

7 فَكّ الحزام أولاً
فكّ حزام المقعد

8 النهوض
انهض من على المقعد

9 الطبي
اطو مسندَي الزراعين ومنصة القدم
والمقعد {أ}، ثم ادفع المقبض، الموجود
على جهة اليسار أو اليمين أسفل المقعد،
إلى الأسفل {ب}. ثم أدّر المقعد حتى
تسمع صوت «طق». الآن تم ضبط
المقعد على وضع القفل

10 وضع الوقوف
اضغط مع الاستمرار على زر لأعلى أو
لأسفل الموجود على جهاز التحكم عن
بُعد حتى يصل المصعد إلى نقطة الشحن.
بمجرد وصوله، يتوقف المصعد تلقائياً

11 الشحن
توجد نقاط شحن لإعادة شحن بطاريات
المصعد في أعلى وأسفل القضيب الآلي
(قد تكون هناك نقاط شحن إضافية). إذا
لم يكن المصعد في الموضع الصحيح عند
نقطة الشحن، يُصدر المقعد صوت صفير
لمدة 1٥ ثانية ويظهر على الشاشة رقم
«٢». لا يعمل المصعد في حال كانت
البطاريات فارغة

12 التنظيف
نظف مصعد الدرج بانتظام باستخدام
قطعة قماش مبللة؛ وتجنب الاستخدام
المفرط للمياه. لا تستخدم منظفًا حمضيًا.
تأكد من خلو المسار من الأوساخ والغبار.
بمرور الوقت، قد تترك عجلات المسار
علامة على القضيب الآلي

الخيارات
الدوران التلقائي
13 يتيح لك خيار «مقعد الدوران التلقائي»
إمكانية تدوير المقعد تلقائياً ليوافق الاتجاه
الذي ستسلكه. للقيام بذلك، اضغط مع

(تشغيل / إيقاف) خيار
في حالة انقطاع التيار الكهربائي في
المبنى ، قم بإيقاف تشغيل الطاقة من
المصعد لتجنب استنزاف البطارية

الاستمرار على عصا التحكم في اتجاه
التحرك.

14

مسند قدم آلي
للتشغيل «مسند قدمين آلي»، اضغط على
مفتاح التشغيل الموجود أسفل مسند الذراع
[١] أو اَطو المقعد [٢]. يجب أن يُصدر
مصعد الدرج صوت صفير أثناء طي
مسند القدم.
تأكد دائماً من وجود منصة القدم في
الموضع السفلي أثناء التحرك.

15

قضييب آلي مفصلي
باستخدام خيار «طي المفصلة»، يتوقف
المقعد فوق القضييب الآلي المفصلي.
حرك عصا التحكم لأعلى أو لأسفل لطي
القضييب الآلي أو بسطه.

16

[قضييب آلي مفصلي] يعمل بالشحن
لا تترك المصعد على القضييب الآلي
المفصلي بعد الاستخدام. استخدم جهاز
التحكم عن بُعد لتحريك المصعد إلى نقطة
الشحن وأعد شحن البطاريات. تُعد نقطة
التوقف الأولى هي نقطة الشحن.

17

تشغيل النظام
إذا تعطل النظام المفصلي أثناء استخدامك
لمصعد الدرج، يُرجى العودة إلى موضع
الهبوط العلوي ثم طلب المساعدة. لا
تحاول النزول في منتصف المسار، وليكن
نزولك على الطوابق العلوية أو السفلية
فقط.

لطي المفصلة يدوياً في حالة الطوارئ:
اضغط على زر التحرير وحرك الذراع
الرئيسي في نفس الوقت
نصيحة: التحميل على الذراع الرئيسي
أثناء التشغيل العادي يمكن أن يتسبب
في أن يبدو زر الترس المسنن مفاوماً
للحركة. تحريك الذراع الرئيسي مع
الضغط على زر التحرير في آن واحد
سيؤدي إلى خفض الضغط على الترس
المسنن ومن ثم سهولة الحركة.

شودح ةلا ح في طاقنلا هذ ه نم ققحت

لطع:

1. لبق حي ح ص ل ا عض و ل ا ي ف د ع ق م ل ا ه .
- ؟ ة ر د ا غ م ل ا
- ؟ ة ض ف خ ن م ن ي ع ا ر ذ ل ا د ن ا س م و د ع ق م ل ا ه .
- (ل ي غ ش ت ل ا ح ا ت ف م) ؟ ل م ع ي د ع ص م ل ا ه .
- ت ا ل ا ح ي ف ف ق و ت ل ا ل ي ع ف ت م ت ل ا ه .
- ؟ ئ ر ا و ط ل ا
- ؟ ق ل غ م ن ا م ل ا م ا ز ح ل ا ه .
- د ر و م ل ا ب ل ص ت ا ي ر خ أ ل ا ت ا ل ا ح ل ا ع ي م ج ي ف
- ك ب ص ا خ ل ا

تمهيد

« ٤٠٠٠ » منتجًا متطورًا تم تطويره خصيصًا لحمل شخص واحد (بحد أقصى ١٣٦ كجم/ ١٨٠.١ سون/ ٢٥٣ رطلًا) جالسًا على المقعد «Handicare» يُعد مصعد الدرج « ٤٠٠٠ » الخاص بك، يرجى قراءة هذا الدليل جيدًا «Handicare» (نوع شديد التحمل: بحد أقصى ١٦٠ كجم/ ٢١٠.٥ سون/ ٣٠١ رطلًا). قبل استخدام مصعد الدرج، لا تخلط نفسك على طريقة تشغيل مصعد الدرج الخاص بك لتصميم مصعد الدرج الخاص بك باستخدام أحدث التقنيات ووفقًا للوائح السلامة المُعترف بها لتكون على ثقة من أن لديك حلًا آمنًا وموثوقًا به وبالرغم من ذلك، قد ينسب الاستخدام غير الصحيح لمصعد الدرج في حدوث مخاطر للمستخدم أو الأطراف الأخرى أو حدوث تلف لمصعدك أو للسلم الأخرى. استخدم المصعد الخاص بك فقط عندما يكون في حالة تشغيلية جيدة، وعلى للاستخدام المقصود الموضح أعلاه ومع إيلاء الاهتمام الواجب لهذا الدليل. احتفظ دائمًا بهذا الدليل بالقرب من مصعد الدرج

الدعم الفني

في حالة ظهور مشاكل لا تغطيها هذا المستند، يرجى الاتصال بموردك. سيكون موظفو قسم الصيانة لديهم سعادة دائمًا بتقديم المساعدة لك. لمساعدتهم على التعرف على منتجك، يرجى توفير التفاصيل التالية عند الاتصال بهم

- هذا الدليل
- اسمك، عنوانك، الرمز البريدي، مدينتك، ورق هاتفك
- الرقم التسلسلي لمصعد الدرج الذي يمكن العثور عليه مكتوبًا على الملصق الموجود على وحدة الطاقة تحت المقعد

تعليمات الأمان

عند استخدام مصعد الدرج، تُراعى دائمًا قواعد السلامة المناسبة فيما يتعلق بخطر التعرض للصدمات الكهربائية والإصابات الجسدية

1. توفير بيئة خالية من الواثق عن طريق ضمان خلو المسار بأكمله من العقبات ووضع التنويرات البيئية في الأضواء. لا تعرض المصعد لطوبى أو الأشعة فوق البنفسجية الشديدة. تأكد من أن البيئة مُضاءة جيدًا. في حال استخدام المصعد في الهواء الطلق: ضع الغطاء دائمًا فوق المصعد عندما لا يكون المصعد قيد الاستخدام
3. لا يجب استخدام مصعد الدرج إلا بواسطة الأفراد الذين تلقوا التوجيه المناسب. يُطلب من المورد عند التركيب أن يبين كيفية استخدام مصعد الدرج، كما يُطلب من المستخدم التوقيع على إقرار يؤكد تلقيه هذه التعليمات
4. ينبغي استخدام مصعد الدرج فقط لشخص واحد فقط. لا تستخدم مصعد الدرج الخاص بك لنقل الحيوانات الأليفة أو البضائع أو أكثر من شخص واحد في وقت واحد، حتى لو كانت الحمولة تزن أقل من الحد الأقصى لوزن المستخدم. ابق الأطفال والحيوانات الأليفة بعيدًا عن مصعد الدرج
5. ازل المقام بعد الاستخدام لمنع الاستخدام غير المصرح به
6. احرص على إبعاد الأطراف والملابس بعيدًا عن الأجزاء المتحركة. تأكد من أن الملابس الواسعة أو الفضفاضة غير عالقة بين الكرسي والدرج أو القصيب الألي
7. تأكد من الوضعية الآمنة أثناء الاستخدام، وتأكد دائمًا من الوضعية الصحيحة والمستقرة. يرجى الجلوس في المقعد إلى الراء قدر الإمكان ووضع قدميك بالقرب من مركز منصة القدم قدر الاستطاعة. استخدم دائمًا حزام الأمان ولا تقف على مصعد الدرج أبدًا
8. توج الحذر في جميع الأوقات. ركز على عملية تشغيل مصعد الدرج لأن تحرير وصلة التشغيل المفصلية سيؤدي إلى توقف المصعد. لإعادة تشغيل المصعد، انتظر لمدة ٣٠ ثوانٍ ثم اضغط مع الاستمرار على الوصلة المفصلية باتجاه التحرك المرغوب حتى تصل إلى الهبوط أو الارتفاع
9. تحقق من عدم وجود أي تلف. قبل الاستخدام، احرص المصعد وتحقق من عدم وجود أي تلف خارجي. أبلغ المورد في حال وجود تصحيح غير عادي، مثل سرير أو طفيفة لتجنب وقوع الحوادث، يجب إجراء الإصلاحات والصيانة الوقائية من قبل المهندسين المؤهلين للقيام بذلك دون غيرهم
10. يجب عدم استخدام مصعد الدرج في حالة نشوب حريق أو كوسيلة للهروب أثناء نشوب حريق
11. إذا لم يكن المصعد مزودًا بجهاز اتصال، فإتينا نوصي بأن يكون دائمًا هناك جهاز في متناول اليد
12. اترك مصعد الدرج فقط في النقاط المحددة الموجودة في أعلى وأسفل قصيب الحركة

الهيكل

تقع مسيولية وضمان والتحقق من مدى قوة وملاءمة الجدار، والسلاسل، والثرفات، والطوابق العلوية، والدرابزين، والقواعد الخشبية، وما إلى ذلك من الأجزاء التي تدعم أو تحيط أو وكلائها المصنعين مسيولية ملاءمة الهيكل التي تحيط وتدعم Handicare بعملية التركيب، على العميل، الذي يتحمل بدوره كافة المسؤوليات ذات الصلة. لا تتحمل شركة عملية التركيب

الصيانة

التنظيف
تظف مصعد الدرج بانتظام باستخدام قطعة قماش مبللة؛ وتجنب الاستخدام المفرط للمياه. تأكد من خلو المسار من الأوساخ والغبار. مرور الوقت، قد تتراكم عجلات المسار علامة على القصيب الألي

الصيانة الوقائية

بالإضافة إلى تنظيف مصعد الدرج الخاص بك، فإن الصيانة الوقائية الدورية ضرورية لضمان كفاءة الاستخدام على المدى الطويل يجب إجراء صيانة للمصعد الدرج الخاص بك مرة واحدة في العام على الأقل بواسطة شخص مؤهل. إذا كان هناك أكثر من مستخدمين يستخدمان مصعد الدرج الخاص بك، فإتينا نوصي بتوفير عمليتي صيانة على الأقل في السنة
يرجى توفير مقبس كهربائي لتوفير الإضاءة الموضعية إذا لزم الأمر أثناء عملية الفحص والصيانة. يجب توفير إضاءة لا تقل قوتها عن ٥٠ لوكن عند نقاط الجلوس أثناء استخدام مصعد الدرج. غالبًا ما تكون بيئات قوة مصباح الإضاءة موضحة على العبوة

الضمان والمسؤولية

كـمـسـتـخـد مـلـمـصـعـ الـدـرـج هـذا، فإتينا تـجـمـل مـسـؤـولـيـة الـكـامـلـة دأـمـًا عـن مـراـعـة لـواـجـب الـسـلامـة و الـمـبـادئ التـوجـيـهـيـة الـمـتـبـعـة مـحـلـيًّا. تـضـمـن الـجـهـة الـمـصـنـعـة أـحـد مـصـعـد الـدـرـج هـذا (بـاسـتـثـنا الـبـطـاريـات) سـيـم إـصـلـحـه مـجـانًا إـذـا طـهـرت عـيـوب تصـنـع و / أو عـيـوب مـواد في عـضـون ٢٤ شـهـرًا مـن تـارـيـخ الشـراء، أـتـاء الـاسـتـخـدـام العـادـي ووفقًا لتعليمات التثبيت والصيانة للمستخدم الموصى بها

مدة الضمان - يسري هذا الضمان لمدة ٢٤ شهرًا من تاريخ شحن المنتج من المصنع. يجب دفع سعر شراء المنتج كـمـلـًا حـتـى يـتـمـن المـصـنـع مـن صـرف قـطـع الـغـيار مـوجـب هـذا الضمان

التغطية - ينطبق هذا الضمان على إجراء إصلاح أو استبدال، حسب اختيار الشركة المصنعة، للأجزاء المعطلة بسبب عيوب المواد أو التصنيع. يجوز للشركة المصنعة، حسب اختيار، عدم توفير قطع غيار محددة في المصنع. يقدم هذا الضمان إلى وكيل هانديكير المعتمد نيابة عن المشتري النهائي للمنتج وهو غير قابل للتلف. لا يغطي ضمان الشركة المصنعة رسوم العمالة التي تعمل على إزالة

قطع الغيار الضمان أو إصلاحها أو استبدالها
سـتـتـم مـن الـضـمـان: الأـضـرـار النـاتـجـة عـن الإهـلـاك العـادـي أو التـجـمـل الزائـد أو سـوء الـاسـتـخـدـام، و اسـتـبـدال الـبـطـاريـات فـي جـهـاز التـحـكـم عـن بـعـد ا تـجـمـل الشـركـة المـصـنـعـة حـتـى أـي طـرف مـن الـظـروف مـسـؤـولـيـة عـن الوـاـفـة أو الإـصـابـة الـشـخـصـيـة أو الأـضـرـار الـتـي تـلـحـق بـالمـتـلـكـات أو العـاقـبـات العـارـضـة أو غـيـر الـمـتـوقـعـة و / أو التـكـالـيـف أو الأـضـرـار النـاتـجـة عـن اسـتـخـدـام مـصـعـد الـدـرـج. لا يـسـمـح بـجـراء صـيـانـة عـلى الـمـنـجـم. و لا تـجـمـل الشـركـة المـصـنـعـة مـسـؤـولـيـة عـن الأـضـرـار النـاتـجـة عـن هـذه التـعـديـلات. لا تـجـمـل الـجـهـة المـصـنـعـة أيـة مـسـؤـولـيـة عـن الـضـرـر أو الإـصـابـة النـاتـجـة عـن عـدم الـاتـمـان أو عـدم المـراـعـة الكـافـيـة لـقـواعـد و تـعـليـمـات الـسـلامـة الوـارـدة فـي هـذا الدـلـيـل أو عـن طـريـق الإهـمـال أـتـاء التـركـيـب أو الـاسـتـخـدـام أو الصـيـانـة أو الإـصـابـة لـمـصـعـد الـدـرـج هـذا، لا يـجـوز الـقـيـام بـالتـركـيـب و الصـيـانـة إلا حـتـى مـسـؤـولـيـة الـبـانـعـيـن أو مـهـنـسـي الصـيـانـة الـمـرـخـص لـهـم مـن قـبـل الشـركـة المـصـنـعـة، و الـتي يـجـب أن يـتم فـي إطـار مـا مـراـعـة لـواـجـب الـمـتـبـعـة مـحـلـيًّا

مـسـؤـولـيـة عـن عـدم قـابـليـة تـشـغـيـل النـظـام فـي حـالـة حـدوث تـداخـل غـيـر مـحـتمـل مـن Handicare تـعـمـل أـجـهـة التـحـكـم عـن بـعـد المـثـبـتـة عـلى الـحـالـط عـلى تـرـد د لاسـلـكي؛ لـذا لا تـجـمـل شـركـة الـمـصـنـع الـمـصـنـع لـيـذا خـارجـة لـيـذا المـصـنـع

و جـرى إـعـادـة هـذه الـقـيـود لـتـوفـيـر الـحـمـايـة (FCC) تم اختيار هذا الجهاز وتبنت توافقه مع حدود الأجهزة الرقمية من الفئة ب بموجب الفقرة ١٥ من قواعد لجنة الاتصالات الفيدرالية المعروفة من التداخل الضار الذي قد ينجم عن إجراء التركيب في بيئة سكنية

قد يولد هذا الجهاز طاقة تردد لاسلكي ويستخد من الممكن أن يتسبب كذلك، كما قد ينسبب في حدوث تداخل ضار مع الاتصالات اللاسلكية في حالة عدم تركيبه واستخدامه وفقًا لتعليمات

ومع ذلك، لا يوجد أي ضمان بعدم حدوث تداخل في حال التركيب في ظل ظروف معينة. وإذا تسبب هذا الجهاز في حدوث تداخل يضر باستقبال الراديو أو التلفزيون، وهو ما يمكن تحديده بيقين تشغيل الجهاز تم إعادة تشغيله مرة أخرى، فإتينا نوصي المستخدم بمحاولة إصلاح التداخل عن طريق اتباع واحد أو أكثر من الإجراءات التالية

- إعادة توجيه أو ضبط موقع هوائي الاستقبال
- زيادة المسافة الفاصلة بين الجهاز وجهاز الاستقبال
- توصيل الجهاز بمأخذ تيار كهربائي في دائرة مختلفة عن الدائرة التي يتصل بها جهاز الاستقبال
- استشارة وكلاء البيع أو فني حبرين في الراديو/التلفزيون للمساعدة

AR

المواصفات الفنية	
جهد مصدر الطاقة	230 فولت تيار متردد
السرعة	0.12 (م/ث (حد أقصى
التردد	60/50 هرتز
درجة الحرارة المحيطة	40-0 درجة مئوية
التيار	1 أمبير
الرطوبة النسبية	80-20%
الطاقة الكهربائية	360 واط
136 kg	400 واط
الطاقة الكهربائية	16 رحلة على مدار 24 ساعة
160 kg	10 رحلات مستمرة
الاستخدام	30 أمبير
الصمامات	(حد أقصى) 136 كجم
الحمولة	ديسبيل 56
الضجيج	

تستند المعلومات الواردة في هذا الدليل إلى المواصفات العامة المتعلقة بالبناء وخصائص المواد وأساليب العمل في وقت النشر بما في ذلك على وجه الخصوص (على سبيل المثال لا الحصر) الأجزاء مثل نظام Handicare يعتمد تكوين مصعد الدرج من

لا يجوز العمل على هذه التكوين أو على جزء Handicare القضيب الألي، وبنية مصعد الدرج، وأجزاء التثبيت، وجميع الأجزاء الدوارة والمتحركة، والمحرك، على دراية وبراعة شركة أداء هذا العمل وفقاً للتعليمات المعتمدة من جهتها. حيث لم يثنى التدريب المطلوب سوى Handicare أو أكثر من أجزائه إلا من قبل وكلاء البيع (وموظفيهم) الذين تم اعتمادهم من قبل شركة بعد تسليمها أعمالاً سابقة. لا يتمتع موردو مصاعد الدرج Handicare هؤلاء الموظفين؛ ولا يمكن إلا لهؤلاء الموظفين المؤهلين فقط توفير مستوى الأمان المشهود به لمصاعد الدرج شركة بالأهلية لأداء مثل هذا العمل، على سبيل المثال تركيب قضيب الي آخر غير الأصلي لمستخدم Handicare وبخلاف وكلاء البيع الذين صادقت عليهم Handicare المستعلة من

يقطع غيار أخرى، مثل قضيب الي مختلف، من قبل Handicare أو يتم إعادة تزويد مصعد درج مستعمل من Handicare وهذا أمر هام، لأنه عندما يتم تنفيذ العمل على مصعد درج من الخاصة بمصعد الدرج المعني غير صالحين بآثر فوري CE وعلامة Handicare أي شخص آخر غير الموظفين المؤهلين المذكورين أعلاه، سيصبح بذلك ضمان

مسؤولة أو تتحمل المسؤولية Handicare غير صالحة، فهذا يعني أن مصعد الدرج المعني هذا لم يعد يمثل للأنظمة الأوروبية. وكتيجة لذلك، لن تكون شركة CE بمجرد أن تصبح علامة Handicare. إلا باستخدام قطع غير أصلية معتمدة من Handicare عن أي عواقب ناجمة عن فشل مصعد الدرج المعني. علاوة على ذلك، لا يجوز إجراء الصيانة على مصعد الدرج من

CE وعلامة Handicare مثل قضيب الي مختلف، فيصبح ضمان Handicare هذا مهم، لأنه في حالة استخدام قطع غيار أخرى بخلاف قطع الغيار الأصلية المعتمدة من قبل شركة الخاصة بمصعد الدرج المعني غير صالحين بآثر فوري

اللغة البولندية هي اللغة الأصلية لهذا الدليل

7 إعلان المهندس

أنا / نحن نقر بأننا في فحصنا / فحصنا هذا المصعد بدقة وأن ما سبق هو تقرير صحيح بنتيجة الفحص.
أعلن / نعلن أن مصعد الدرج المركب مزود بمكونات معتمدة وتم تثبيته وفقاً للتعليمات الواردة في دليل التركيب. أعلن / نعلن أننا قد أوضحنا للمستخدم جميع ممارسات المستخدم.
المستخدم قادر بشكل مستقل على استخدام المصعد بأمان دون مزيد من التعليمات
تم تسليم دليل المستخدم إلى المستخدم

اسم المهندس:	اسم المهندس:
المؤهلات:	المؤهلات:
تاريخ التوقيع:	تاريخ التوقيع:
التوقيع:	التوقيع:

العنوان: إذا كان قد تم تعيينه من قبل شركة / نقابة < الاسم / العنوان:

إعلان الفرد الذي تلقى الإرشادات

تؤكد هذه الرسالة على أن مستخدم مصعد الدرج قد تلقى جميع ممارسات المستخدم من المهندس / المهندسين المذكورين أعلاه وأنه على علم بعملية التشغيل كاملة بصفته تلقى الإرشادات.


الاسم:	العنوان:
المدينة:	رقم الهاتف:
تاريخ التوقيع:	التوقيع:

EC DECLARATION OF CONFORMITY

We, Handicare Newtonstraat 35, 1704 SB Heerhugowaard declare that the Handicare 4000 is in conformity with the provisions of the Machinery Directive 2006/42/EC, Low Voltage Directive 2014/35/EU and EMC Directive 2014/30/EU.

The stairlift has been designed and manufactured in accordance with the following standards:
EN 81-40, ISO 9386-2, EN ISO 12100-1, EN ISO 12100-2, EN ISO 14121, EN60204-1 (including the EMC standards).

Heerhugowaard, The Netherlands, 15 april 2023.


P. Slack, Vice President, Operations, Handicare Year of build: 2023 Date put into service:

يعتبر بيان المطابقة قانونيًا بعد توقيع قائمة التحقق الخاصة بالتركيب والإعلان الموجه للمستخدم من قبل المهندس والمستخدم. يجب على الموزع حفظ قائمة التحقق من التركيب والإعلان الموجه للمستخدم وإتاحته لـ Handicare عند الطلب. التاريخ المدون في قائمة التحقق الخاصة بالتركيب هو تاريخ بدء فترة ضمان الشركة المصنعه ولمدة عامين.

1 SKŁADANIE W DÓŁ

Upewnij się, że przełącznik on/off (wł./wył.) jest ustawiony w pozycji „ON” (WŁ.). Po włączeniu wyświetlacz diagnostyczny zostanie podświetlony. Złóż w dół podnóżek, podłokietniki i siedzisko. (OPCJONALNY PODNÓŻEK ELEKTRYCZNY > 14)

2 USTAWIANIE STÓP

Ustaw stopy na podnóżku. Upewnij się, czy obie stopy spoczywają w całości na podnóżku.

3 BEZPIECZEŃSTWO JEST NAJWAŻNIEJSZE

Odpowiednio zapnij pas bezpieczeństwa, pilnując, by zatrzasnął się on w uchwycie. Włóż kluczyk do stacyjki i przekręć go o dziewięćdziesiąt stopni zgodnie z kierunkiem ruchu wskazówek zegara. Sprawdź, czy krzesło znajduje się w pozycji zablokowanej.

4 JAZDA

Porusz joystickiem i przytrzymaj go w odpowiednim kierunku ruchu. Na wyświetlaczu pojawi się komunikat „8/9”, a krzesło schodowe po 1 sekundzie powoli ruszy. Przy zmianie kierunku jazdy opóźnienie będzie wynosiło 3 sekundy.

5 PRZYCIŚK ZATRZYMANIA

W razie sytuacji awaryjnej naciśnij jeden raz przycisk zatrzymania. Przycisk zatrzymania jest podświetlony. Krzesło schodowe zatrzyma się natychmiast. Zatrzymanie można zwolnić, naciskając ponownie przycisk zatrzymania.

6 OBRÓT

Krzesło zatrzymuje się automatycznie na końcu szyny. Następnie należy obrócić siedzisko ręcznie, aby ułatwić sobie wchodzenie lub schodzenie

z niego. Aby to zrobić, pchnij w dół dźwignię {A}. Obróć siedzisko, aż usłyszysz charakterystyczny odgłos „kliknięcia”. Siedzisko znajduje się teraz w prawidłowej pozycji {B}. (OPCJA DODATKOWA: OPCJONALNE AUTOMATYCZNE OBRACANIE > 13)

7 ODPINANIE PASA

Odepnij pas bezpieczeństwa.

8 WSTAWIANIE

Wstań z siedziska.

9 SKŁADANIE DO GÓRY

Złóż do góry podłokietniki, podnóżek i siedzisko {A}. Pchnij w dół dźwignię znajdującą się z lewej lub z prawej strony siedziska {B}. Obróć siedzisko, aż usłyszysz charakterystyczny odgłos „kliknięcia”. Siedzisko znajduje się teraz w pozycji zablokowanej {B}.

10 POSTÓJ

Naciśnij i przytrzymaj przycisk góra lub dół na pilocie zdalnego sterowania, aż krzesło schodowe dotrze do punktu zatrzymania. Po dotarciu do tego punktu krzesło schodowe zatrzyma się automatycznie.

11 ŁADOWANIE

W górnej i w dolnej części szyny znajdują się punkty ładowania akumulatora krzesła schodowego (mogą być również dodatkowe punkty ładowania). Jeśli krzesło schodowe nie znajduje się w prawidłowej pozycji przy punkcie ładowania, będzie wydawać sygnał dźwiękowy przez 15 sekund, a na wyświetlaczu pojawi się „2”. Krzesło schodowe nie działa, jeśli akumulatory są rozładowane.

12 CZYSZCZENIE

Krzesło schodowe należy regularnie czyścić przy użyciu wilgotnej ścierki;

uniknąć używania nadmiernych ilości wody. W żadnym razie nie wolno stosować kwasowych środków czyszczących. Należy zadbać o to, aby tor jazdy był wolny od zabrudzeń i kurzu. Z czasem kółka mogą pozostawić ślad na szynie.

OPCJA

13 ELEKTRYCZNE OBRACANIE

Opcja ELEKTRYCZNEGO OBRACANIA SIEDZISKA pozwala na automatyczne obrócenie siedziska w kierunku, w którym będziesz się poruszać po zejściu z krzesła schodowego. Aby to zrobić, pchnij i przytrzymaj joystick w odpowiednim kierunku ruchu.

14 ELEKTRYCZNY PODNÓŻEK

Aby sterować ELEKTRYCZNYM PODNÓŻKIEM, naciśnij przycisk pod podłokietnikiem. Krzesło schodowe powinno wydać sygnał dźwiękowy w przypadku złożenia podnóżka. Zawsze dbaj o to, aby płyta podnóżka była opuszczona w dół podczas jazdy.

15 SZYNA ZAWIASOWA

Dzięki opcji ZAWIASU SKŁADAJĄCEGO siedzisko zatrzymuje się tuż nad szyną zawiasową. Porusz joystickiem w górę lub w dół, aby złożyć lub rozłożyć szynę.

16 SZYNA ZAWIASOWA (ładowanie)

Nie pozostawiaj krzesła schodowego na szynie zawiasowej po użyciu. Użyj pilota zdalnego sterowania, aby przemieścić krzesło schodowe do punktu ładowania w celu naładowania akumulatorów. Punkt ładowania jest pierwszym punktem zatrzymania.

17 POSTĘPOWANIE AWARYJNE Z ZAWIASEM

Jeśli używasz krzesła schodowego i

dojdzie do awarii systemu zawiasowego, wróć na górny spocznik schodowy i wezwij pomoc. Nie próbuj wysiadać w połowie drogi.

Wysiadaaj wyłącznie na samym dole lub na samej górze. Ręczne składanie zawiasu w razie awarii: naciśnij przycisk zwalniający i równocześnie porusz ramieniem głównym. Porada: Obciążenie ramienia głównego podczas normalnej pracy może spowodować, że przycisk zębnika stanie się oporny na ruch. Poruszanie ramieniem głównym równocześnie z naciśnięciem przycisku zwalniającego zmniejsza nacisk na zębnik i ułatwia ruch.

17 Włączanie / wyłączanie (opcja)

W przypadku awarii zasilania w budynku należy wyłączyć zasilanie windy, aby uniknąć rozładowania akumulatora.

Sprawdź te punkty w przypadku awarii:

1. Czy siedzenie jest ustawione prawidłowo stanowisko przed wyjazdem?
2. Czy siedzisko i podłokietniki są opuszczone?
3. Czy winda jest włączona? (przełącznik kluczykowy)
4. Posiada wyłącznik awaryjny został aktywowany?
5. Czy pas bezpieczeństwa jest zapięty?

We wszystkich innych przypadkach skontaktuj się ze swoim dostawcą.

PL

WSTĘP

Krzesełko schodowe Handicare 4000 to wysokiej klasy produkt przeznaczony specjalnie do przenoszenia jednej osoby (maks. 136 kg) siedzącej na siedzisku (wersja heavy duty: maks. 160 kg). Przed użyciem krzesła schodowego Handicare 4000 należy dokładnie przeczytać niniejszą instrukcję obsługi, aby zapoznać się z obsługą urządzenia. Krzesło schodowe zbudowano w oparciu o najnowocześniejsze technologie i zgodnie z przyjętymi przepisami bezpieczeństwa, aby zapewnić użytkownikom bezpieczne i niezawodne rozwiązanie. Niewłaściwe użytkowanie może jednak stanowić zagrożenie dla użytkownika lub osób trzecich bądź skutkować uszkodzeniem krzesła lub innego mienia. Krzesła należy używać wyłącznie, kiedy jest w pełni sprawne oraz zgodnie z opisanym powyżej przeznaczeniem i niniejszą instrukcją. Niniejszą instrukcję należy przechowywać w pobliżu krzesła schodowego.

INSTRUKCJE BEZPIECZEŃSTWA

Użytkując krzesło schodowe, należy stale przestrzegać stosownych przepisów bezpieczeństwa w zakresie zagrożenia porażeniem prądem elektrycznym i wystąpieniem obrażeń fizycznych.

1. Należy zadbać o to, aby krzesła nic nie blokowało, tzn. by na całej długości szyny nie było żadnych przeszkód.
2. Należy wziąć pod uwagę wpływ otoczenia na krzesło schodowe. Krzesła nie wolno narażać na działanie wilgoci lub nadmiernego światła słonecznego. Należy zapewnić dobre oświetlenie w pobliżu krzesła schodowego. W przypadku używania krzesła schodowego na zewnątrz: należy zawsze zakryć krzesło schodowe osłoną, kiedy nie jest ono używane.
3. Krzesło schodowe powinno być użytkowane jedynie przez osoby, które otrzymały stosowne wskazówki. W momencie instalacji dostawca ma obowiązek zademonstrować, jak należy używać urządzenia, a użytkownik zobowiązany jest podpisać oświadczenie potwierdzające otrzymanie instrukcji.
4. Krzesła schodowe przeznaczone są do przenoszenia jednej osoby: nie należy ich używać do transportu zwierząt domowych, mienia lub kilku osób jednocześnie, nawet jeśli obciążenie nie przekracza podanej masy maksymalnej. Dzieci i zwierzęta nie powinny przebywać w pobliżu krzesła schodowego.
5. Po skorzystaniu z krzesła należy wyciągnąć kluczyk, aby zapobiec jego nieuprawnionemu użyciu.
6. Nie należy zbliżać kończyn i odzieży do elementów krzesła schodowego będących w ruchu. Należy pilnować, aby obszerna lub luźna odzież nie utknęła pomiędzy krzesłem a schodami bądź szyną.
7. Podczas użytkowania należy zadbać o bezpieczną pozycję. Krzesłem schodowym należy przemieszczać się we właściwej i stabilnej pozycji. Na siedzisku należy siedzieć możliwie najgłębiej i ustawiać stopy jak najbliższej środka podnóżka. Należy zawsze zapinać pas bezpieczeństwa i nigdy nie stawać na krześle.
8. Należy stale zachowywać ostrożność. Należy skoncentrować swoją uwagę na obsłudze urządzenia, ponieważ zwolnienie przełącznika sterującego spowoduje zatrzymanie krzesła schodowego. W celu ponownego uruchomienia krzesła należy odczekać 3 sekundy i popchnąć przełącznik w wybranym kierunku jazdy, a następnie trzymać go w tej pozycji do czasu dojechania do spoczynka schodowego lub korytarza.
9. Należy kontrolować krzesło schodowe pod kątem uszkodzeń. Przed użyciem należy sprawdzić je pod kątem uszkodzeń zewnętrznych. Nietypowe odgłosy, np. piski lub trzaski, należy zgłaszać dostawcy. W celu uniknięcia wypadków naprawy i prewencyjne prace konserwacyjne powinni wykonywać wyłącznie wykwalifikowani technicy.
10. Krzesła schodowe nie wolno używać w przypadku pożaru ani jako środka ucieczki w czasie pożaru.
11. Jeśli krzesło schodowe nie jest wyposażone w urządzenie do komunikacji, zalecamy mieć zawsze tego rodzaju urządzenie w zasięgu ręki.
12. Krzesło schodowe można pozostawić wyłącznie w przeznaczonych do tego celu miejscach w górnej i dolnej części szyny.

KONSTRUKCJA

Klient przeprowadził właściwą kontrolę i zapewnia, że ściana, klatki schodowe, tarasy, górne piętra, balustrady, cokoły itp., które stanowią podparcie dla instalacji lub ją otaczają, są wystarczająco wytrzymałe i ogólnie rzecz biorąc odpowiednie. Klient przyjmuje w związku z tym wszelką odpowiedzialność w tym zakresie. Firma Handicare ani jej upoważnieni przedstawiciele handlowi nie ponoszą odpowiedzialności za stosowność konstrukcji otaczających instalację lub stanowiących dla niej podparcie.

KONSERWACJA

Czyszczenie

Krzesło schodowe należy regularnie czyścić przy użyciu wilgotnej ściereki; unikać używania nadmiernych ilości wody. Należy zadbać o to, aby tor jazdy był wolny od zabrudzeń i kurzu. Z czasem kółka mogą pozostawić ślad na szynie.

KONSERWACJA PREWENCYJNA

Oprócz czyszczenia krzesło schodowe wymaga okresowej konserwacji prewencyjnej, aby zapewnić nieprzerwane działanie przez długi czas. Urządzenie musi co najmniej raz w roku być serwisowane przez wykwalifikowaną osobę. Jeśli krzesło schodowe jest używane przez więcej niż dwóch użytkowników, zalecamy co najmniej dwa przeglądy serwisowe w roku. Należy zapewnić gniazdko elektryczne na potrzeby miejscowego oświetlenia, jeśli jest to wymagane podczas przeglądu i prac serwisowych. Podczas użytkowania krzesła w miejscach wiskadnia musi znajdować się oświetlenie o natężeniu co najmniej 50 luksów. Na większości opakowań żarówek podana jest wartość natężenia w luksach.

GWARANCJA I ODPOWIEDZIALNOŚĆ

Warunki gwarancji – niniejsza gwarancja jest ważna przez okres 24 miesięcy od daty wysyłki produktu z naszej fabryki. Aby w ramach gwarancji uzyskać części, należy uiszczyć kwotę zakupu Producentowi w całości.

Zakres – niniejsza gwarancja obejmuje naprawę lub wymianę – według uznania Producenta – części, które uległy uszkodzeniu ze względu na wady materiałowe lub wykonawcze. Producent może, według swojego uznania, dostarczyć części odnowione fabrycznie. Gwarancja udzielana jest autoryzowanemu sprzedawcy produktów Handicare w imieniu końcowego nabywcy produktu i nie ma możliwości jej przeniesienia. Gwarancja Producenta nie obejmuje kosztów robocizny przy demontażu, naprawie lub wymianie części objętych gwarancją.

Gwarancja nie obejmuje uszkodzeń spowodowanych zużyciem wynikającym z normalnej eksploatacji, przeciążeniem lub niewłaściwym użyciem, a także wymiany baterii w pilocie.

Zaleca się coroczny serwis krzesła schodowego przez odpowiednio wykwalifikowanego technika.

Producent w żadnym wypadku nie ponosi odpowiedzialności za zgon, obrażenia ciała, uszkodzenie mienia lub przypadkowe, nieprzewidziane konsekwencje i/lub koszty bądź szkody wynikające z użytkowania krzesła schodowego.

Wprowadzanie zmian w produkcie jest zabronione i skutkuje unieważnieniem gwarancji. Producent nie odpowiada za szkody wynikłe z powodu takich zmian.

Producent nie odpowiada za szkody lub obrażenia spowodowane nieprzestrzeganiem lub niedostatecznym przestrzeganiem przepisów bezpieczeństwa i zaleceń zawartych w niniejszej instrukcji obsługi lub zaniebdaniami w czasie instalacji, użytkowania, konserwacji i naprawy krzesła schodowego.

Montażem i serwisem powinni zajmować się wyłącznie przedstawiciele handlowi lub monterzy-serwisanci upoważnieni przez producenta zgodnie z lokalnymi przepisami.

Montowane na ścianie piloty zdalnego sterowania działają w oparciu o częstotliwości radiowe; firma Handicare nie odpowiada za niedziałanie systemu w mało prawdopodobnym przypadku zakłóceń spowodowanych sygnałami z zewnątrz.

Urządzenie to zostało poddane testom i spełnia ograniczenia stawiane urządzeniem cyfrowym klasy B, zgodnie z częścią 15 przepisów FCC.

Ograniczenia te zostały ustalone w celu zapewnienia należytej ochrony przed szkodliwymi zakłóceniami w przypadku instalacji urządzenia w budynku mieszkalnym.

Niniejsze urządzenie generuje, wykorzystuje oraz może emitować fale o częstotliwościach radiowych i (jeżeli nie zostanie zainstalowane i nie będzie używane zgodnie z instrukcją obsługi) może powodować zakłócenia w komunikacji radiowej.

Nie można jednakże zagwarantować, że w przypadku konkretnej instalacji zakłócenia nie wystąpią. Jeśli urządzenie powoduje zakłócenia szkodliwe dla odbioru sygnału radiowego lub telewizyjnego, co można sprawdzić przez wyłączenie i ponownie włączenie urządzenia, zaleca się, by użytkownik spróbował usunąć te zakłócenia, korzystając z poniższych metod:

- Zmiana kierunku lub położenia anteny odbiorczej.
- Zwiększenie odstępów pomiędzy urządzeniem a odbiornikiem.
- Podłączenie urządzenia do innego gniazdka tak, aby było zasilane z innego obwodu niż odbiornik.
- Zasięgnięcie porady u sprzedawcy lub doświadczonego technika serwisu radiowo-telewizyjnego.

SPECYFIKACJE TECHNICZNE

Napięcie zasilania	230 VAC	Prędkość	0.12 m/s (maks.)
Częstotliwość	50/60 Hz	Temperatura otoczenia	0 - 40°C
Natężenie prądu	1 A	Wilgotność względna	20 - 80%
Moc 136 kg	360 watt	Wydajność	16 jazd na 24 godziny (typ.)
Moc 160 kg	400 watt		10 jazd na godzinę (max.)
Bezpieczniki	30 A	Hałas	56 dB
Obciążenie	(std.) 136 kg (300 lb)		
	(h.d.) 160 kg (352 lb)		

Informacje zawarte w niniejszej instrukcji opierają się na ogólnych specyfikacjach dotyczących konstrukcji, właściwości materiałów i metod pracy w momencie publikacji.

Konfiguracja krzesła schodowego Handicare – w tym w szczególności (choć nie tylko) jego części, takich jak system szyn, konstrukcja krzesła schodowego, elementy mocujące, wszystkie części obrotowe i ruchome oraz silnik – opiera się na wiedzy technicznej firmy Handicare. Prace w zakresie tej konfiguracji lub w zakresie jednej lub większej liczby jej części mogą być realizowane wyłącznie przez dystrybutorów (oraz ich pracowników), którzy zostali upoważnieni przez firmę Handicare do wykonywania tego rodzaju czynności zgodnie z instrukcjami wydanymi przez Handicare. Wyłącznie ci pracownicy uzyskali wymagane przeszkolenie i tylko ci wykwalifikowani pracownicy mogą zapewnić poziom bezpieczeństwa, jaki oferują krzesła schodowe Handicare dostarczane z fabryki. Dostawcy używanych krzeseł schodowych Handicare, niebędący dystrybutorami posiadającymi certyfikat firmy Handicare, nie są uprawnieni do wykonywania prac, jak np. montaż szyny innej niż oryginalna szyna Handicare.

Jest to ważne, ponieważ w przypadku wykonywania prac w zakresie krzesła schodowego Handicare lub ponownego montażu używanego krzesła schodowego Handicare z użyciem innych części, takich jak inna szyna, przez kogokolwiek innego niż wyżej wymienieni wykwalifikowani pracownicy, gwarancja firmy Handicare i oznakowanie CE dla takiego krzesła schodowego tracą ważność ze skutkiem natychmiastowym.

Utrata ważności oznakowania CE oznacza, że dane krzesło schodowe przestaje spełniać obowiązujące przepisy europejskie. W wyniku tego firma Handicare nie ponosi już odpowiedzialności z tytułu jakichkolwiek konsekwencji wynikających z awarii danego krzesła schodowego. Oprócz tego konserwacja krzesła schodowego Handicare może być wykonywana wyłącznie z użyciem oryginalnych części zamiennych, które zostały zatwierdzone przez firmę Handicare.

Jest to ważne, ponieważ w przypadku użycia części innych niż oryginalne części zamienne zatwierdzone przez firmę Handicare, takich jak inna szyna, gwarancja firmy Handicare i oznakowanie CE dla takiego krzesła schodowego tracą ważność ze skutkiem natychmiastowym.

Oryginalna instrukcja sporządzona została w języku niderlandzkim.

Inżynier ds. zgodności

Poświadczam, że w dniu przeprowadzono szczegółowe próby niniejszego podnośnika i podane informacje stanowią rzeczywiste sprawozdanie z wyników. Oświadczam, że wzniezione krzeselko schodowe stanowi połączenie zatwierdzonych komponentów i zostało zainstalowane zgodnie z instrukcją instalacji. Ponadto oświadczam, że użytkownik został przeszkolony z zasad użytkowania. Użytkownik jest w stanie bezpiecznie korzystać z windy bez dalszych instrukcji. Instrukcja użytkownika została przekazana użytkownikowi.

Imię i nazwisko inżyniera:.....	Imię i nazwisko inżyniera:.....
Kwalifikacje:	Kwalifikacje:
Data podpisania:	Data podpisania:
Podpis:	Podpis:
Adres:	Jako przedstawiciel firmy/organizacji>nazwa/adres:

OSOBA OTRZYMUJĄCA OŚWIADCZENIE

Niniejszy dokument potwierdza, że użytkownik krzeselka schodowego, któremu wyżej wspomniany inżynier przeprowadził szkolenie dla użytkowników, został szczegółowo zapoznany z obsługą urządzenia i jest uznany za osobę przeszkoloną.

Imię i nazwisko: Adres:
 Miasto: Numer telefonu:
 Data: Podpis:

EC DECLARATION OF CONFORMITY

My, Handicare Newtonstraat 35, 1704 SB Heerhugowaard deklarujemy, że urządzenie Handicare 4000 jest zgodne z przepisami. Dyrektywy Maszynowej 2006/42/EC, Dyrektywy Niskonapięciowej 2014/35/EU oraz Dyrektywy EMC 2014/30/EU. Krzeselko schodowe zostało zaprojektowane i wyprodukowane zgodnie z następującymi normami: EN 81-40, ISO 9386-2, EN ISO 12100-1, EN ISO 12100-2, EN ISO 14121, EN60204-1 (w tym z normami EMC) ASME A18.1, CSA B-355

Heerhugowaard, Holandia, 15. kwietnia 2023 r.


 P. Slack, wiceprezydent, Handicare rok produkcji: 2023 Data oddania do użytku:

PL

Deklaracja zgodności staje się prawnie obowiązująca po zatwierdzeniu przez inżyniera technika i użytkownika listy kontrolnej dotyczącej montażu oraz nazwiska osoby poinstruowanej odnośnie do deklaracji. Lista kontrolna dotycząca montażu oraz nazwiska osoby poinstruowanej odnośnie do deklaracji powinny zostać zachowane przez sprzedawcę oraz udostępnione na życzenie firmy Handicare.

MAINTENANCE RECORD / ONDERHOUDSVERSLAG / WARTUNGS-AUFZEICHNUNG / NOTIFICATION DE MAINTENANCE / REGISTRO DE MANTENIMIENTO / REGISTRAZIONI DI MANUTENZIONE / ZÁZNAM O ÚDRŽBĚ

<i>Date</i>	<i>Time</i>	<i>Reason for Call</i>	<i>Comments</i>	<i>Dealer</i>
<i>Datum</i>	<i>Tijd</i>	<i>Reden voor oproep</i>	<i>Opmerkingen</i>	<i>Dealer</i>
<i>Datum</i>	<i>Zeit</i>	<i>Grund für den Anruf</i>	<i>Kommentare</i>	<i>Händler</i>
<i>Date</i>	<i>Heure</i>	<i>Raison de l'appel</i>	<i>Commentaires</i>	<i>Revendeur</i>
<i>Fecha</i>	<i>Tiempo</i>	<i>Razón de la llamada</i>	<i>Comentarios</i>	<i>Distribuidor</i>
<i>Data</i>	<i>Tempo</i>	<i>Motivo della chiamata</i>	<i>Commenti</i>	<i>Tecnico</i>
<i>datum</i>	<i>Čas</i>	<i>Důvod volání</i>	<i>Komentáře</i>	<i>Obchodník</i>

REGISTRO DE MANUTENÇÃO / UNDERHÅLLSRECORD / VEDLIKEHOLDSREKORD / REJESTR KONSERWACJI /
 VEDLIGEHOLDELSEREKORD / سجل الصيانة / 維修記錄 / メンテナンス記録 / BAKIM KAYDI

Encontro	Tempo	Motivo da chamada	Comentários	Distribuidor
Datum	Tid	Anledning till samtal	Kommentarer	Handlare
Dato	Tid	Årsak til samtale	Kommentarer	Forhandler
Data	Czas	Powód rozmowy	Uwagi	Kupiec
Dato	Tid	Ársag til opkald	Kommentarer	Forhandler
تاريخ	زمن	سبب الاتصال	تعليقات	تاجر
日期	時間	來電原因	註釋	經銷商
日にち	時間	電話の理由	コメント	ディーラー
Tarih	Zaman	arama nedeni	Yorumlar	Satıcı

